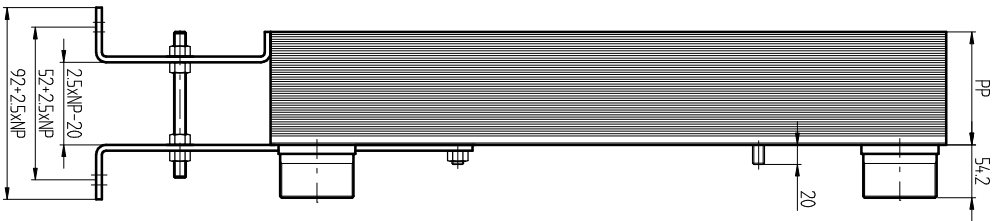
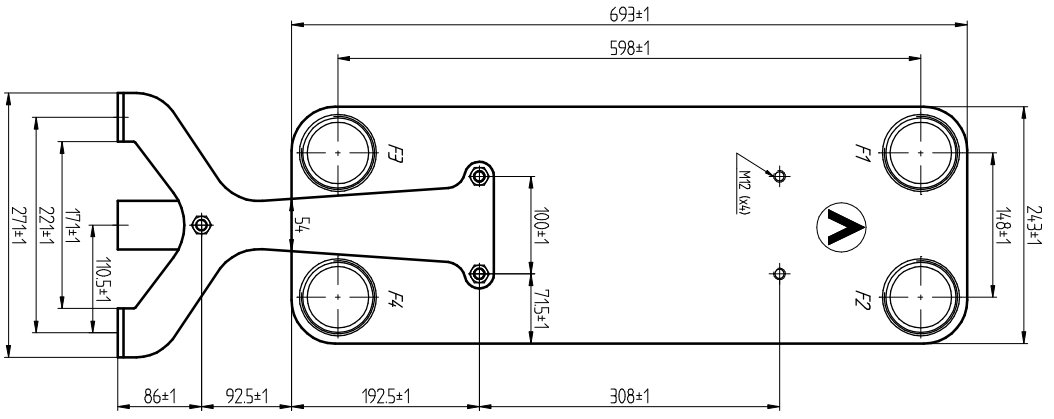
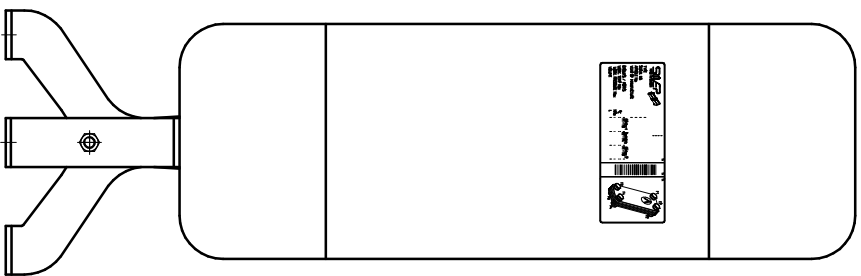


Revision No	Alteration	Date	Checked	Approved
1	ADDED ARTICLE NUMBER	97.06.05	EG	BOS
2	ADDED SUPPORT LEG AND STUD BOLTS	97.06.23	JA	BOS



PP=7*25NP
NP=No of plates



Connections front side		Function		Connections back side (P)		Function		Additional article no. Stud bolts: 21235 and Support leg: 28020	
Pos	Denomination	Drawing No	Inlet	Outlet	Pos	Denomination	Drawing No	Inlet	Outlet
F1	ISO-G 2 1/2"	CD000288			P1				
F2	ISO-G 2 1/2"	CD000288			P2				
F3	ISO-G 2 1/2"	CD000288			P3				
F4	ISO-G 2 1/2"	CD000288			P4				
F5					P5				

Item	Quantity	Checked	Approved	Title / Denomination, cable, material, dimension etc.	Date	General approval date stamp ISO 2664	General surface finish R _a	Article number / reference	Scale
JA	R1	BOS		B57 4x2 1/2"	97.04.18				

SWEP International, Sweden	Article number 1132-	Drawing number AM950005	Revision 2	Scale 1:1
--------------------------------------	-------------------------	----------------------------	---------------	--------------