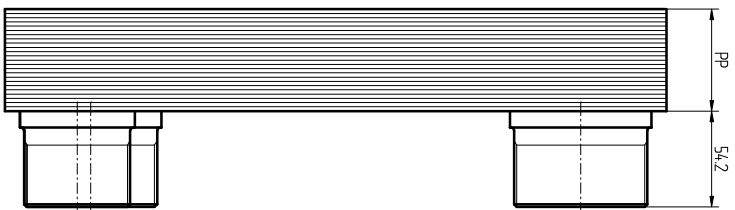
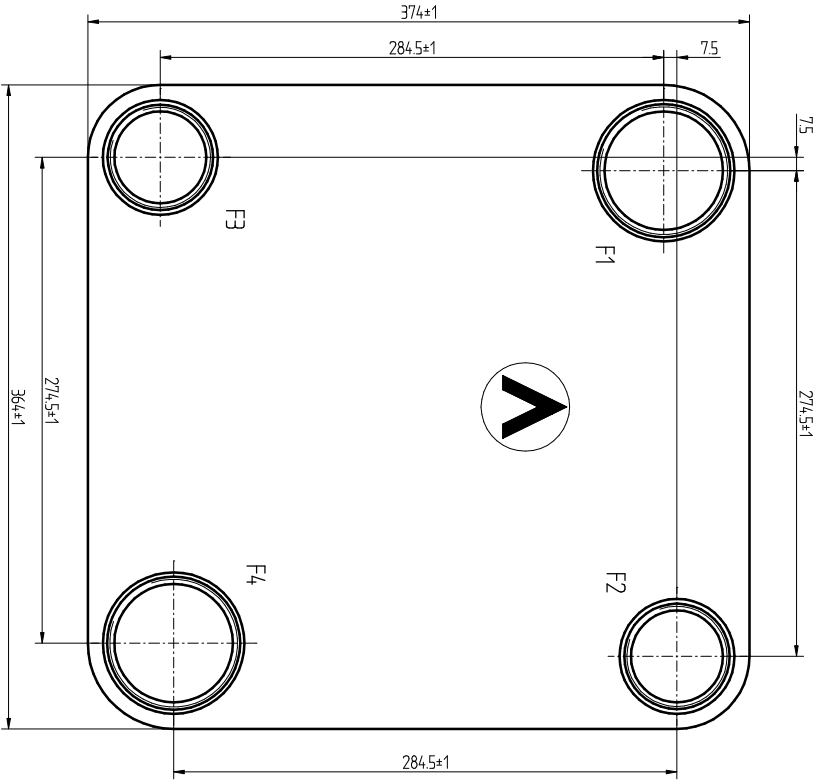
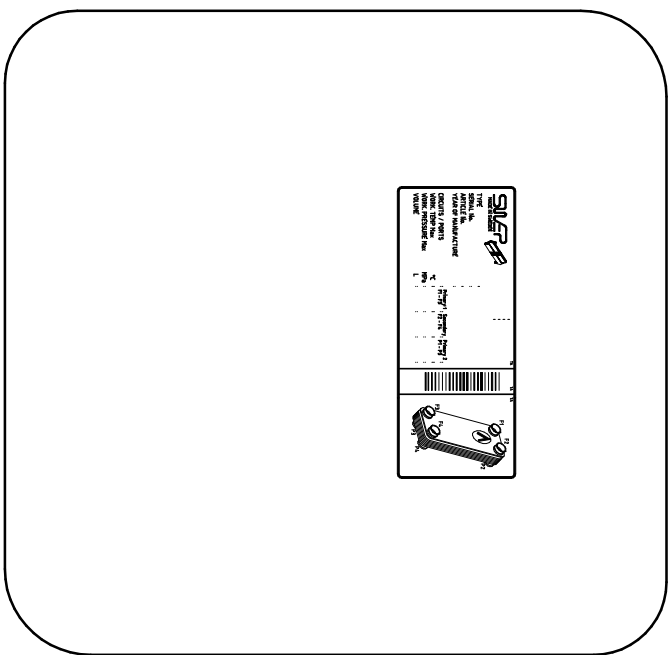


Revision No	Alteration	Date	Checked	Approved
1	CHANGED DIMENSIONS	970611	RJ	BOS



PP=18+2.14XNP  
NP=No of plates



Pos	Connections front side		Function		Connections back side (P)		Function		Item	Quantity	Checked	Approved	Title / Denomination, cable, material, dimension etc.			Article number / reference	
	Denomination	Drawing No	Inlet	Outlet	Denomination	Drawing No	Inlet	Outlet					Date	General graphical identification ISO 764	General surface finish Ra		Scale
F1	ISO-G-2 1/2"	DD000288		P1					JA		TOD	BOS	970304				
F2	ISO-G-2"	DD000322		P2													
F3	ISO-G-2"	DD000322		P3													
F4	ISO-G-2 1/2"	DD000288		P4													
F5				P5													

**SWEPA**  
International, Sweden

Article number: **B60 2"+2 1/2"+2"+2 1/2"**  
 Article number: **11032-**  
 Drawing number: **AM965002**