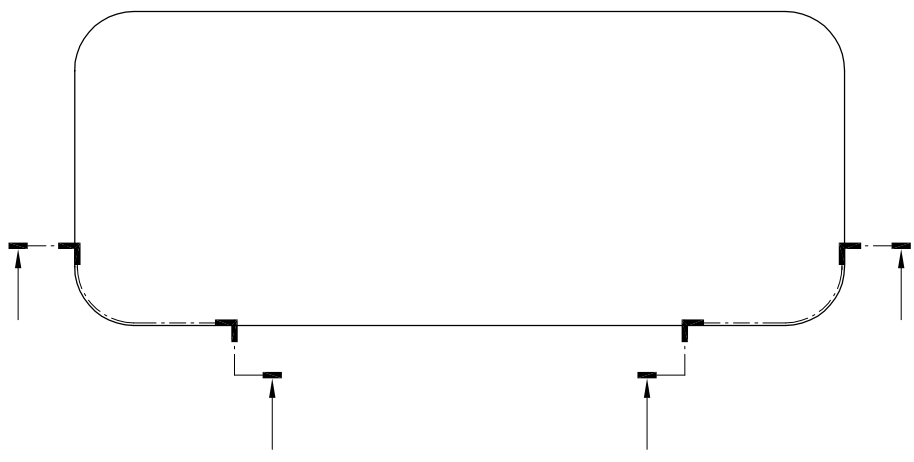
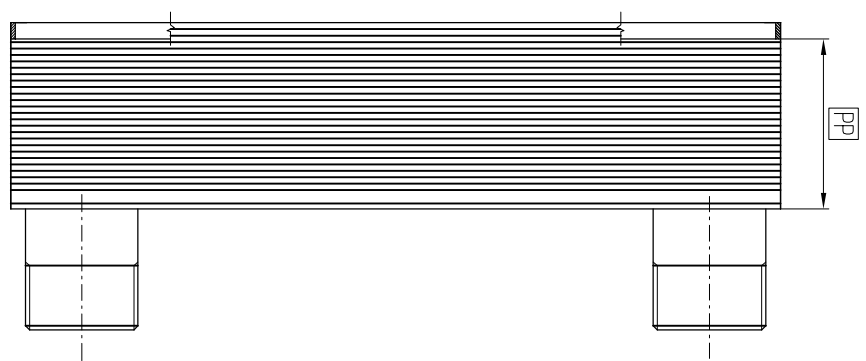
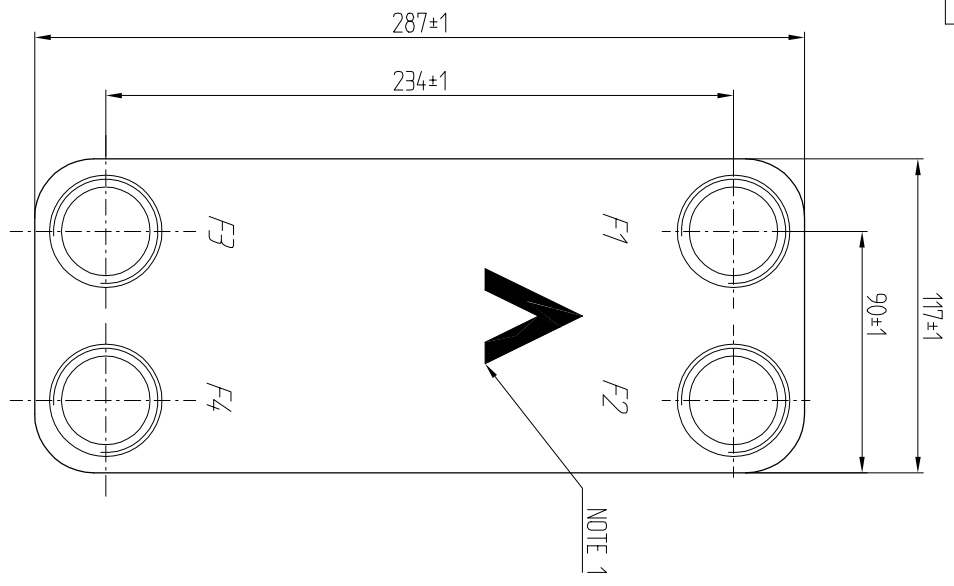


PP=4+234xMP
NP=No of plates

NOTE 2



NOTE 2 PP TOLERANCE REF. AZPM0055
NOTE 1 ALTERNATE MARKING: STICKER OR STAMPED

APT. NO: 11023- SS CU
: 11965- SS NI

Connections front side		Adapter		Connections back side (P)		Adapter	
Pos	Denomination	Drawing No	Denomination	Drawing No	Pos	Denomination	Drawing No
F1	ISO-G 1 1/4 A	CD0000228			P1		
F2	ISO-G 1 1/4 A	CD0000228			P2		
F3	ISO-G 1 1/4 A	CD0000228			P3		
F4	ISO-G 1 1/4 A	CD0000228			P4		

Drawn	Checked	Approved	Date	General geometrical tolerancing ISO 2768	General surface finish Ra	Revision	Sheet
TDD	EG	BOS	97.02.18			2	1/1
			Title	B12M 4x1 1/4"		Drawing number	
			ARTICLE NUMBER	SEE ABOVE		AM505005	

Revision No	Alteration	Date	Checked	Approved
2	ADDED MART. NO	000712	FF	STA