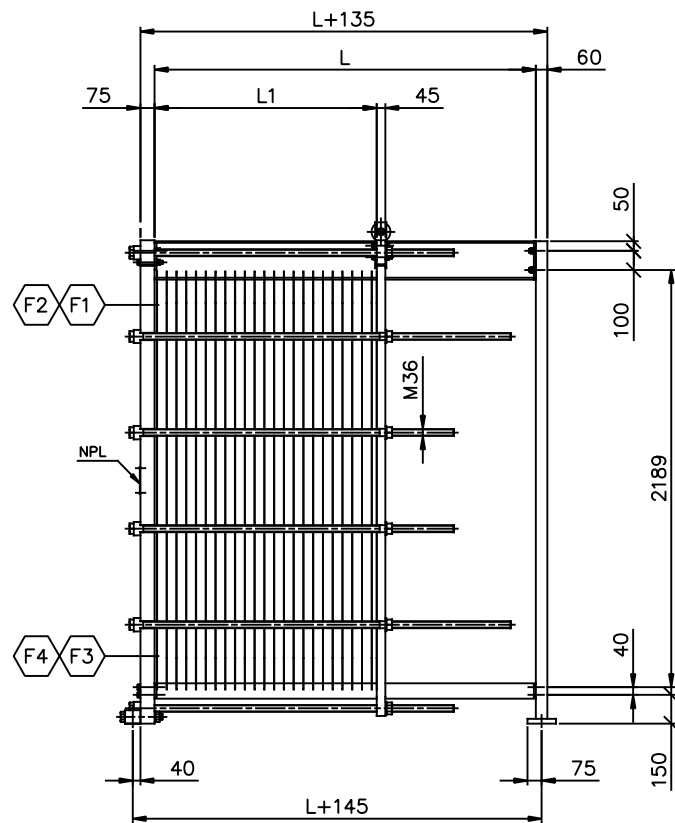
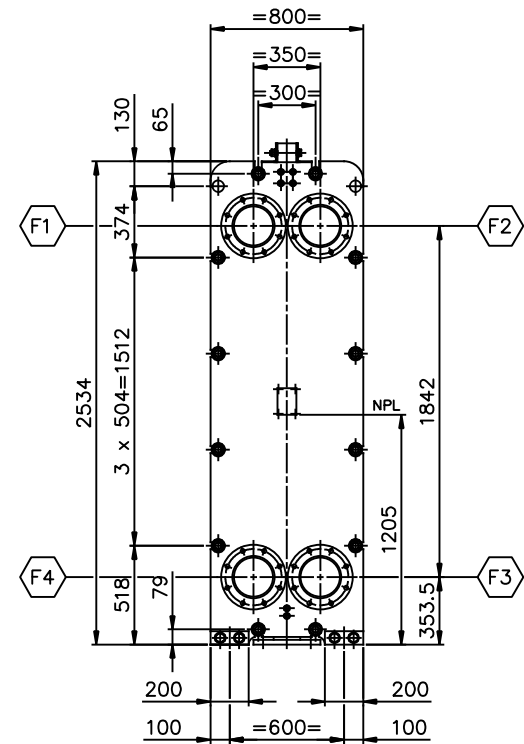


VIEW Q
REAR SIDE
SCALE: 1/20



ELEVATION
SCALE: 1/20



VIEW P
FRONT SIDE
SCALE: 1/20

Dimensions without tolerances: ISOprojektion 	Designed by O.AKSAK	Approved by ARES	Rev. no. 0	Revision Text FOR APPROVAL	Format A1	Scale 1: 20+VAR.
	Description: PHE MODEL: AWG8 PN10 L=600 ÷ 2500 MM GENERAL ARRANGEMENT					
	Rev.date 15-09-'12	Rev.by HE	Drawing no. AWG8-10010-01	Sheet 1 OF 1		

ares
PHE