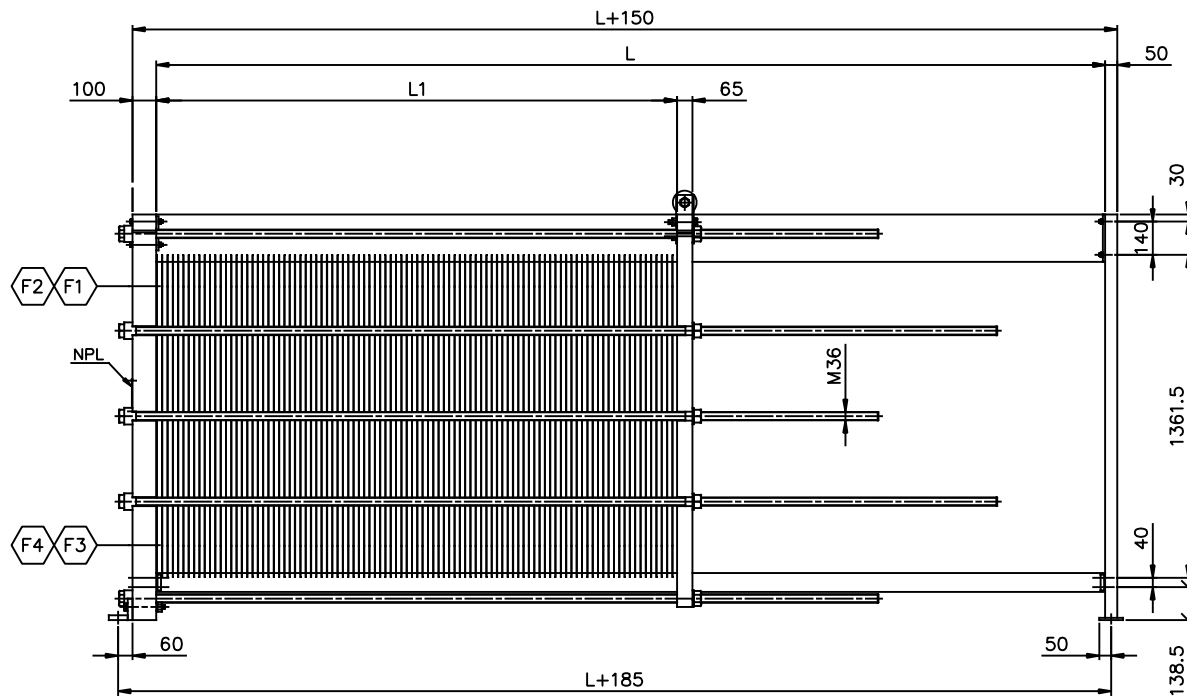
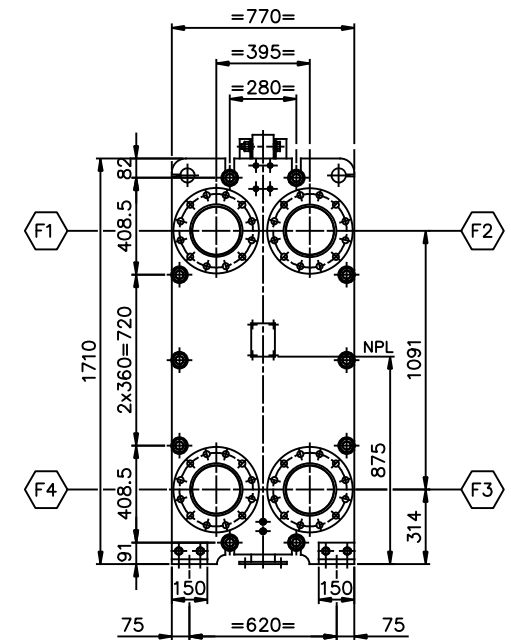


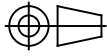
VIEW Q
REAR SIDE
SCALE: 1/15



ELEVATION
SCALE: 1/15



VIEW P
FRONT SIDE
SCALE: 1/15

Dimensions without tolerance:	Designed by	Approved by	Rev. no.	Revision Text	Format	Scale
	O.AKSAK	ARES	0	FOR APPROVAL	A1	1:15+VAR.
ISOprojektion	Description:					
	PHE MODEL: A8M PN25 L=2500 ÷ 4000 MM GENERAL ARRANGEMENT					
	Rev. date	Rev. by	Drawing no.		Sheet	
	21-08-'12	HE	A8M-20025-01		1 OF 1	

ares
PHE