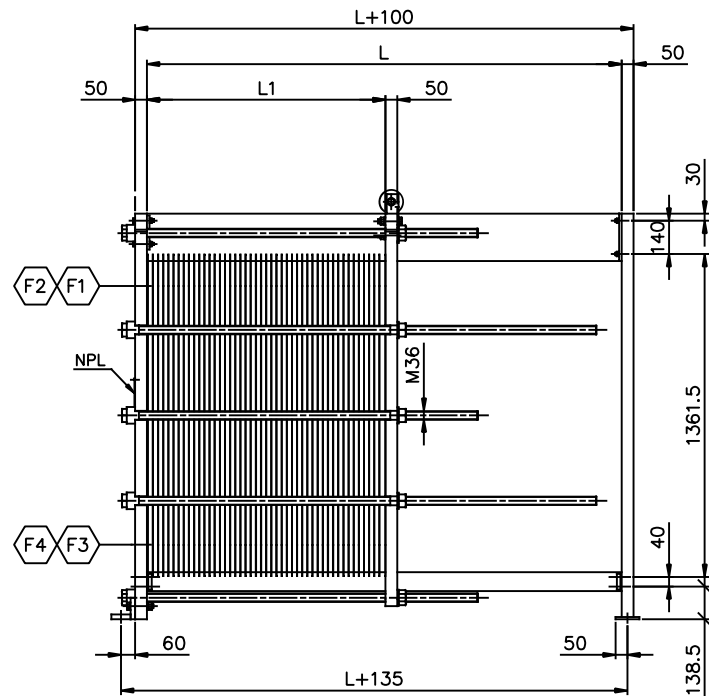
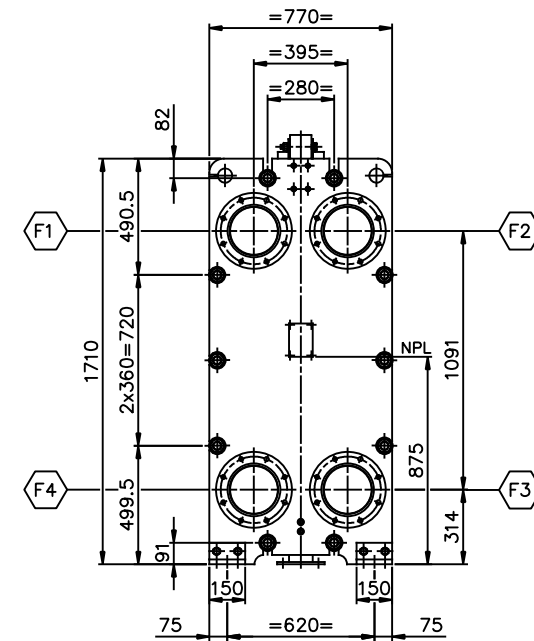



VIEW Q
REAR SIDE
SCALE: 1/15



ELEVATION
SCALE: 1/15



VIEW P
FRONT SIDE
SCALE: 1/15

Dimensions without tolerance:	Designed by O.AKSAK	Approved by ARES	Rev. no. 0	Revision Text FOR APPROVAL	Format A1	Scale 1:15+VAR.
			Description: PHE MODEL: A8M PN6 L=600 ÷ 2000 MM GENERAL ARRANGEMENT			
Rev. date 09-07-'12			Rev. by ARES	Drawing no. A8M-10006-01	Sheet 1 OF 1	

ISO projektion

