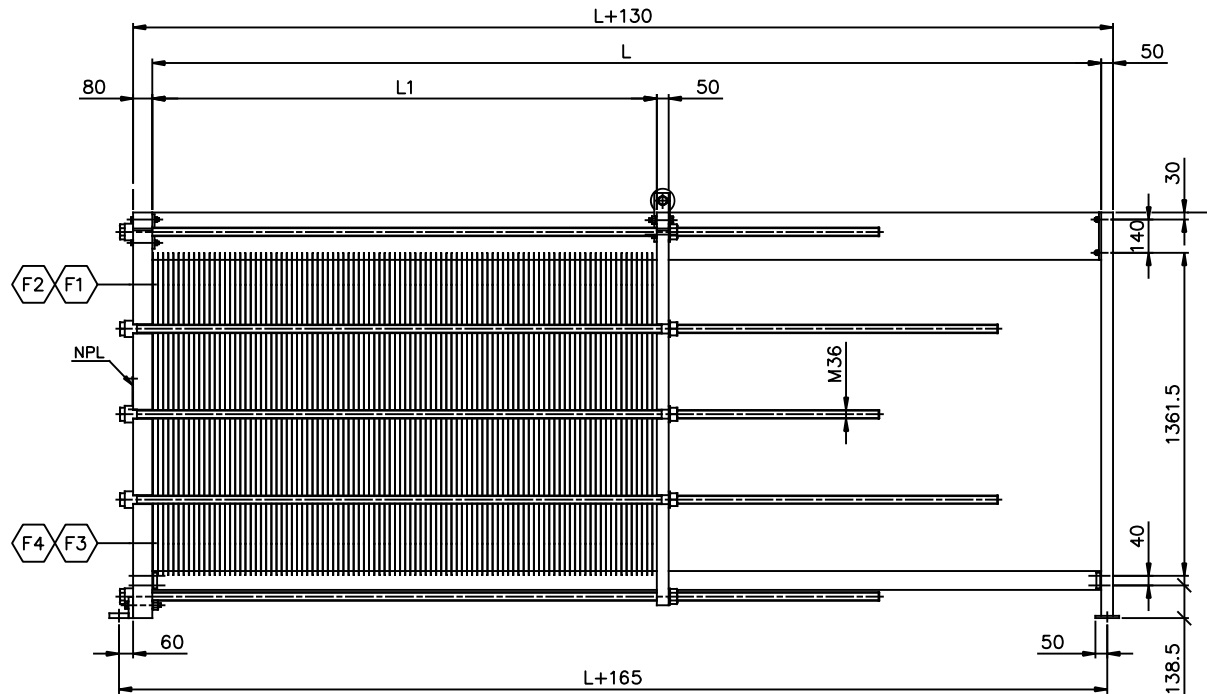
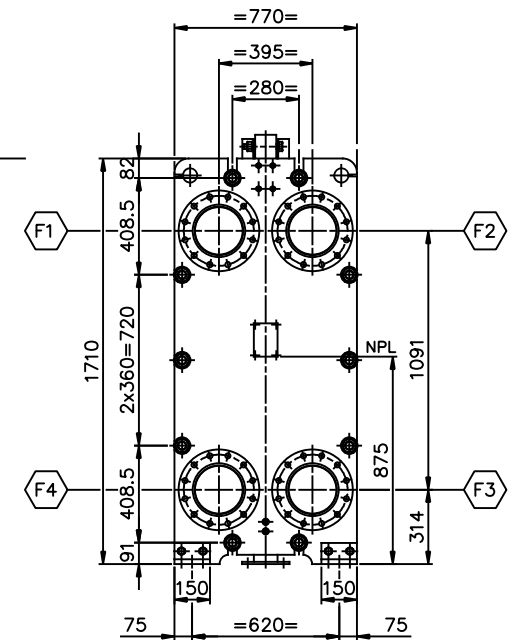


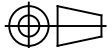
VIEW Q  
REAR SIDE  
SCALE: 1/15



ELEVATION  
SCALE: 1/15



VIEW P  
FRONT SIDE  
SCALE: 1/15

Dimensions without tolerance:  ISO projektion 	Designed by O.AKSAK	Approved by ARES	Rev. no. 0	Revision Text FOR APPROVAL	Format A1	Scale 1:15+VAR.
	Description: PHE MODEL: A8M PN16 L=2500 ÷ 4000 MM GENERAL ARRANGEMENT					
	Rev.date 21-08-'12	Rev.by HE	Drawing no. A8M-20016-01	Sheet 1 OF 1		

