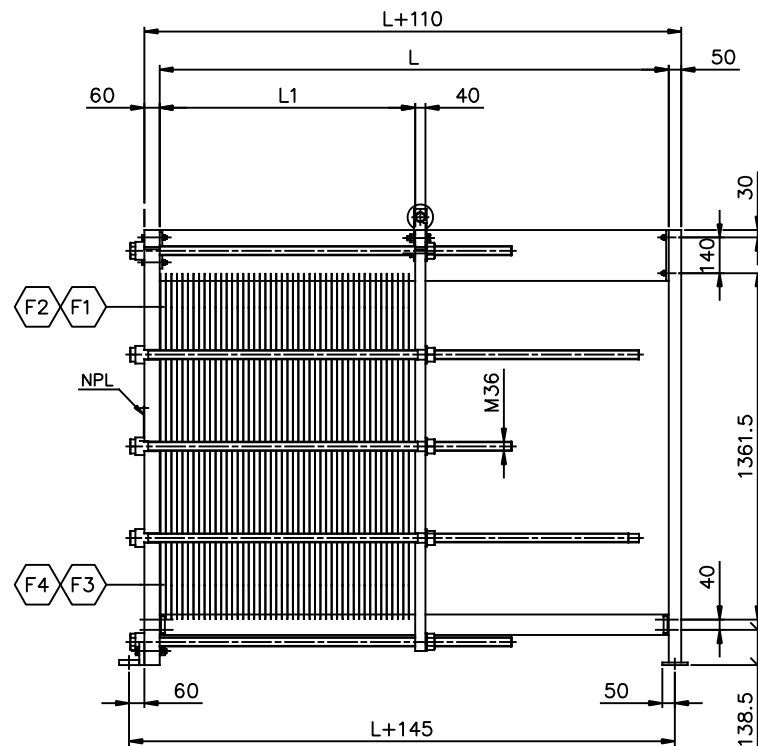
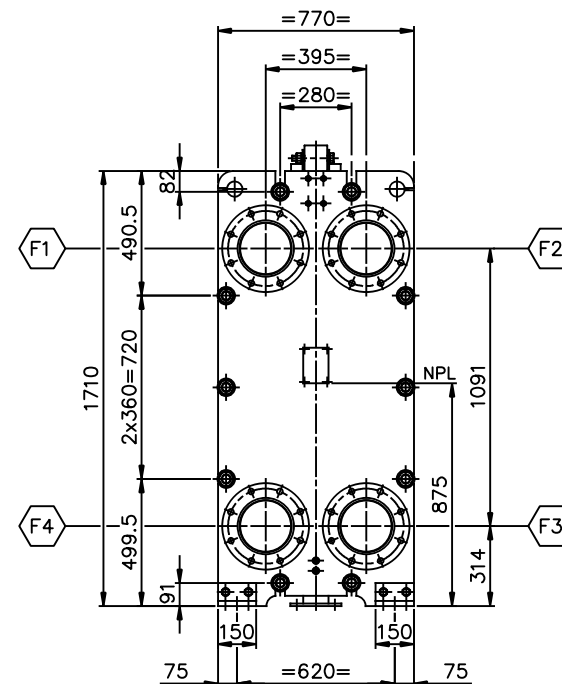


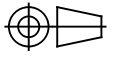
VIEW Q
REAR SIDE
SCALE: 1/15



ELEVATION
SCALE: 1/15



VIEW P
FRONT SIDE
SCALE: 1/15

Dimensions without tolerance:	Designed by	Approved by	Rev. no.	Revision Text	Format	Scale
	O.AKSAK	ARES	0	FOR APPROVAL	A1	1:15+VAR
ISO projektion 	Description:					
	PHE MODEL: A8M PN10 L=600 ÷ 2000 MM GENERAL ARRANGEMENT					
	Rev. date	Rev. by	Drawing no.	Sheet		
	19-08-'12	ARES	A8M-10010-01	1 OF 1		

ares
PHE