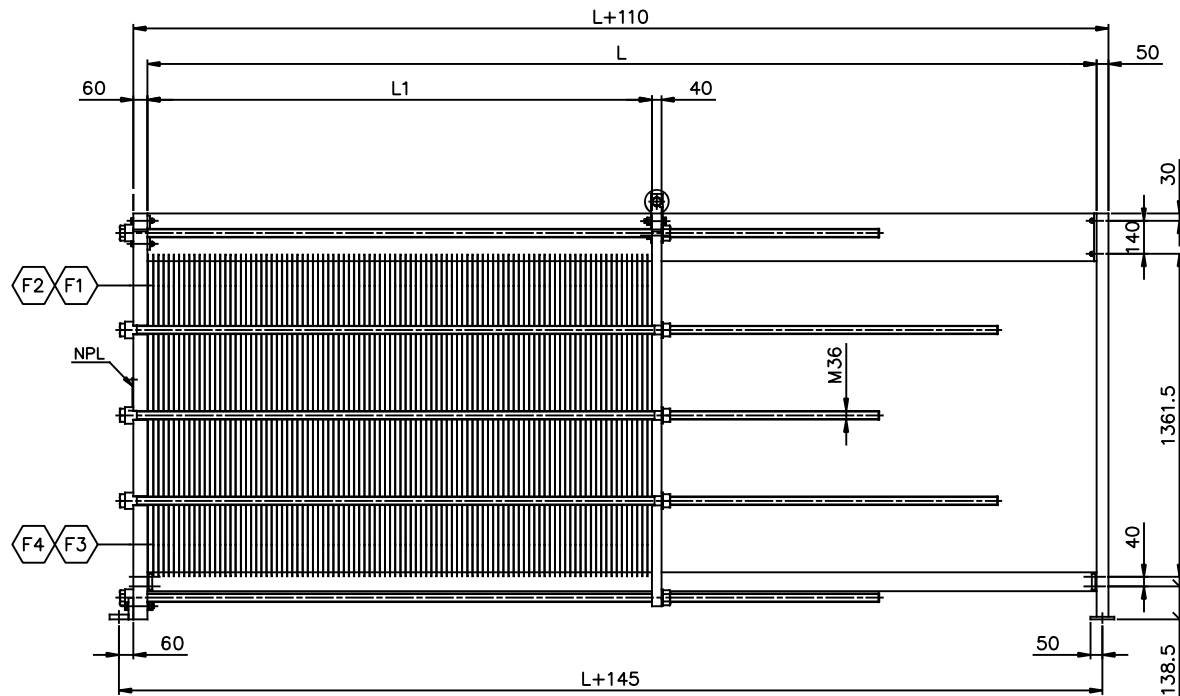
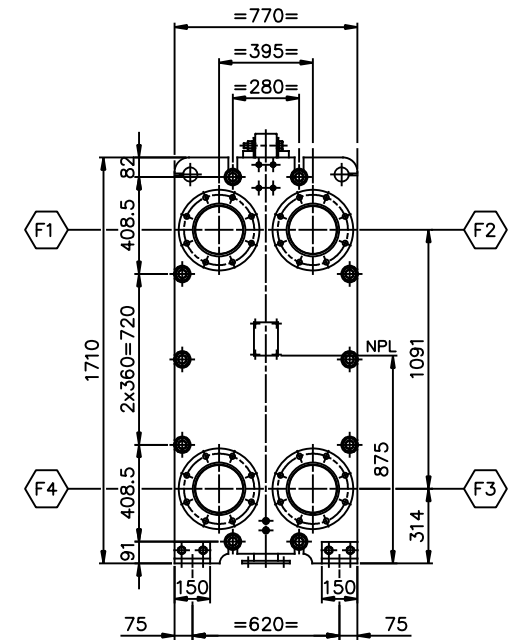


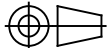

VIEW Q
REAR SIDE
SCALE: 1/15



ELEVATION
SCALE: 1/15



VIEW P
FRONT SIDE
SCALE: 1/15

Dimensions without tolerance:	Designed by O.AKSAK	Approved by ARES	Rev. no. 0	Revision Text FOR APPROVAL	Format A1	Scale 1:15+VAR.
	Description: PHE MODEL: A8M PN10 L=2500 ÷ 4000 MM GENERAL ARRANGEMENT					
ISO projektion 			Rev. date 21-08-'12	Rev. by ARES	Drawing no. A8M-20010-01	Sheet 1 OF 1