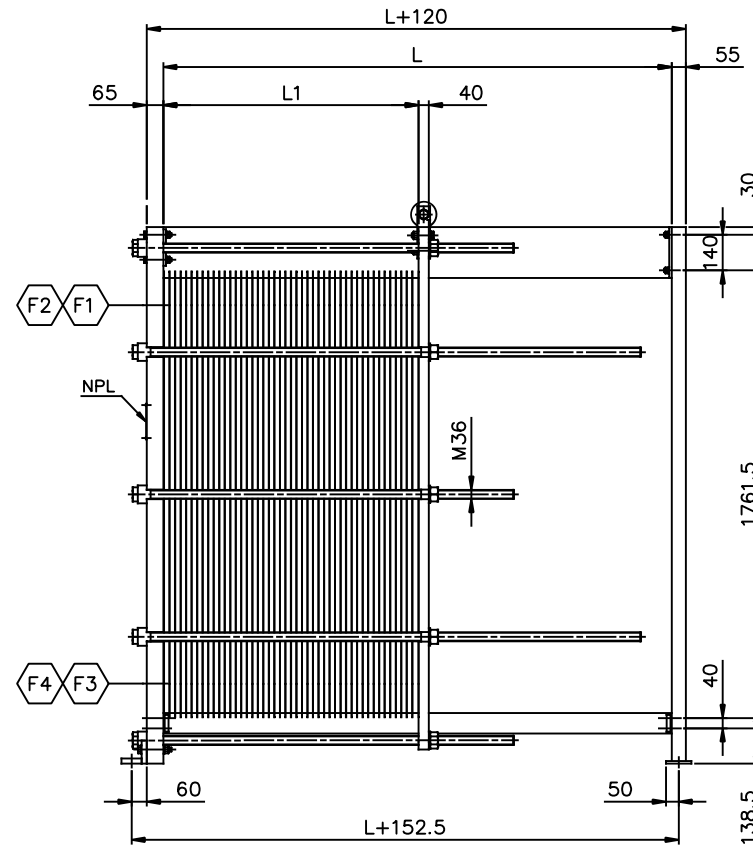
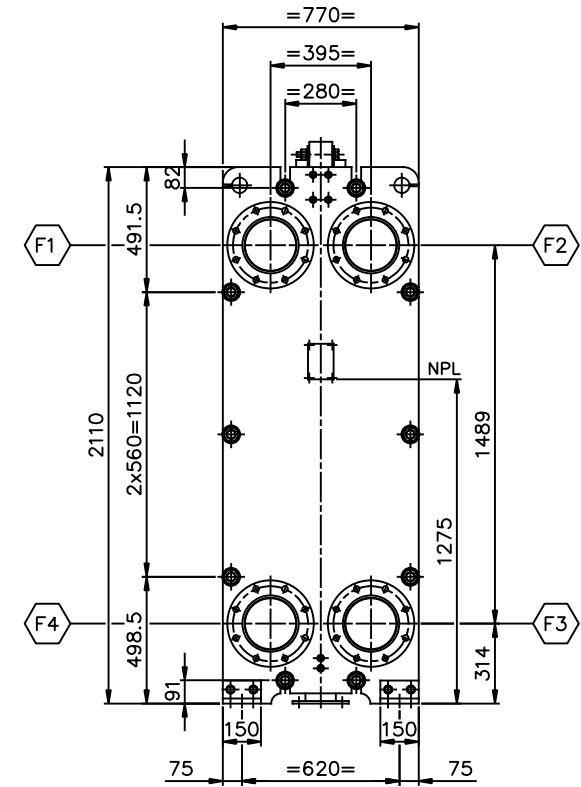


VIEW Q
REAR SIDE
SCALE: 1/15



ELEVATION
SCALE: 1/15



VIEW P
FRONT SIDE
SCALE: 1/15

| | | | | | | |
|----------------------------------|--|---------------------|-----------------------|-------------------------------|-----------------------------|--------------------|
| Dimensions without tolerance: | Designed by O.AKSAK | Approved by ARES | Rev. no. 0 | Revision Text FOR APPROVAL | Format A1 | Scale 1:15+VAR. |
| | Description: PHE MODEL: A8L PN10 L=600÷2000 MM GENERAL ARRANGEMENT | | | | | |
| ISOprojektion | | | Rev.date 12-08-'12 | Rev.by HE | Drawing no. A8L-10010-01 | Sheet 1 OF 1 |