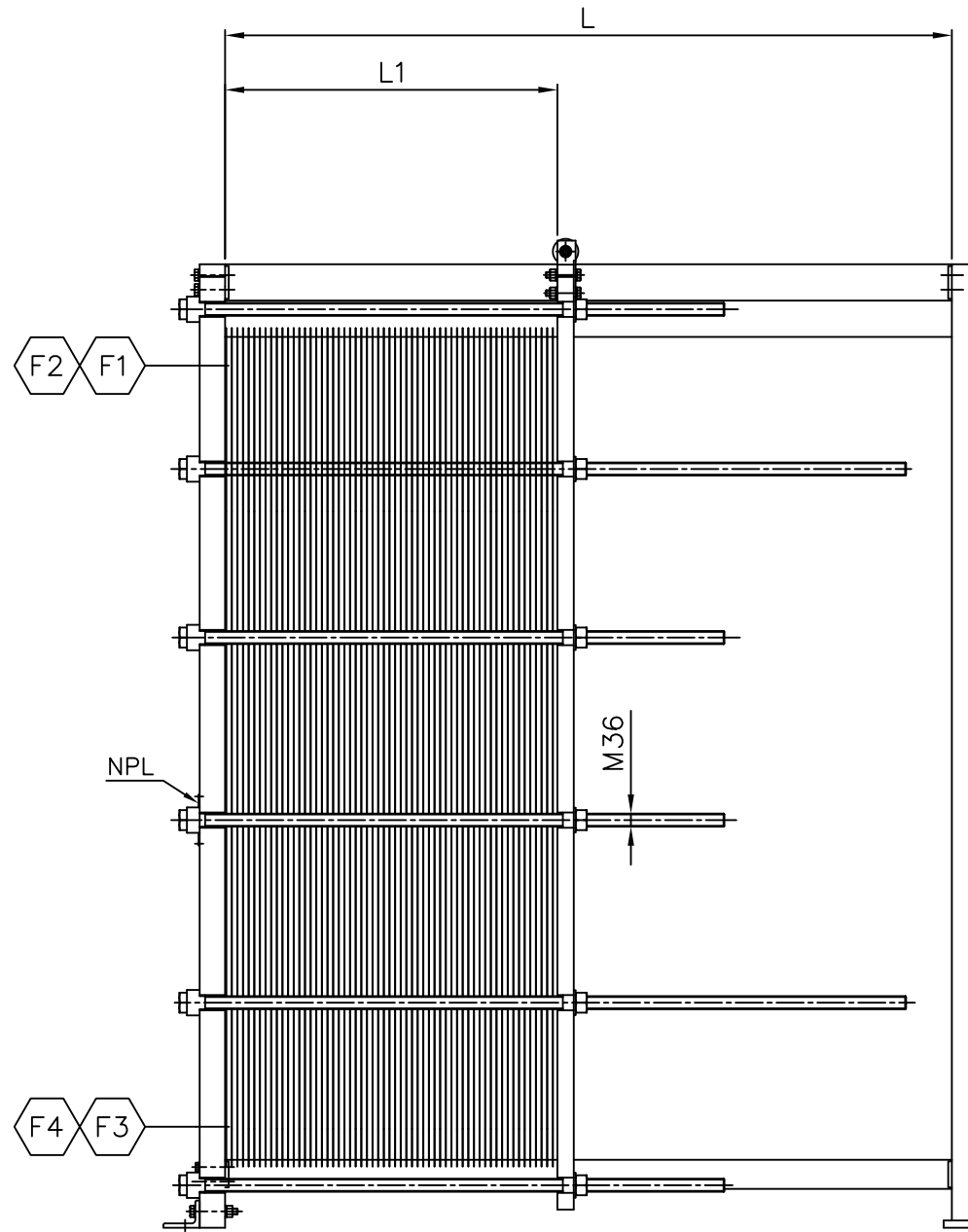
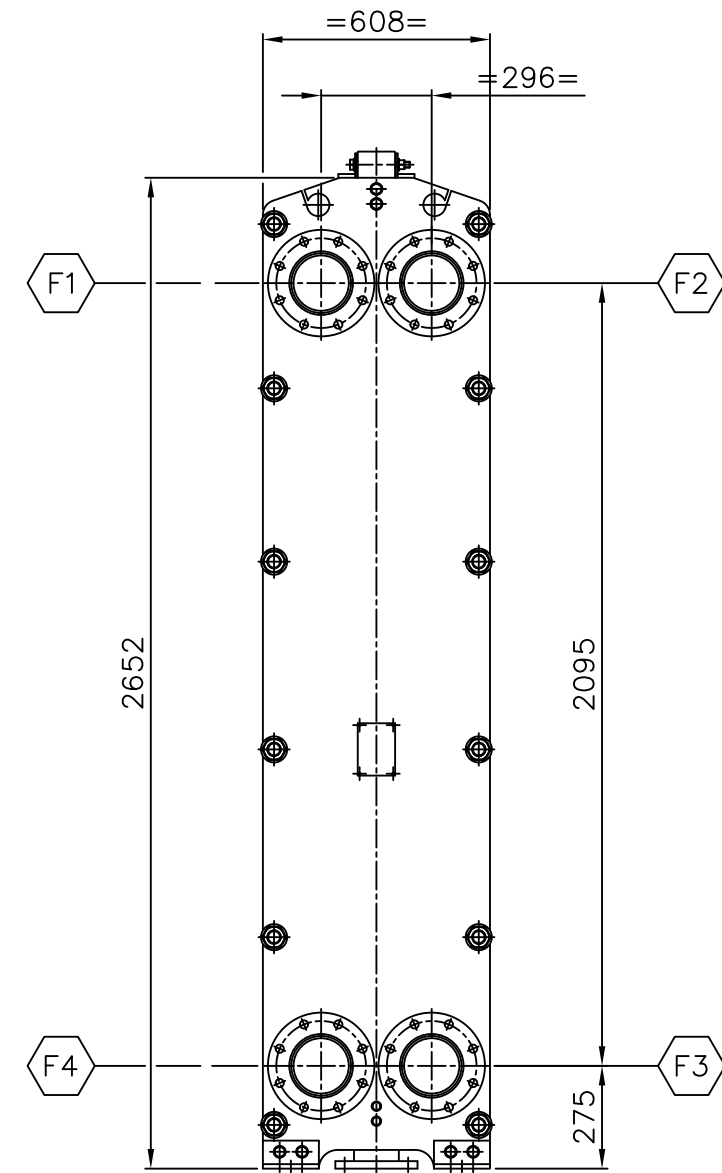


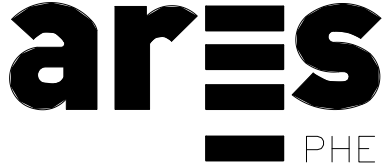
VIEW Q  
REAR SIDE  
SCALE: 1/15



ELEVATION  
SCALE: 1/15



VIEW P  
FRONT SIDE  
SCALE: 1/15

Dimensions without tolerance:	Designed by	Approved by	Rev. no.	Revision Text	Format	Scale
	ARES	ARES	0	FOR APPROVAL	A1	1:15+VAR.
TOL						
ISO projektion						
Description:						
PHE MODEL: A6XL PN16 L=600 ÷ 2000 MM						
GENERAL ARRANGEMENT						
Rev. date	Rev. by	Drawing no.	Sheet			
07-07-'12	ARES	A6XL-10016-01	1 OF 1			