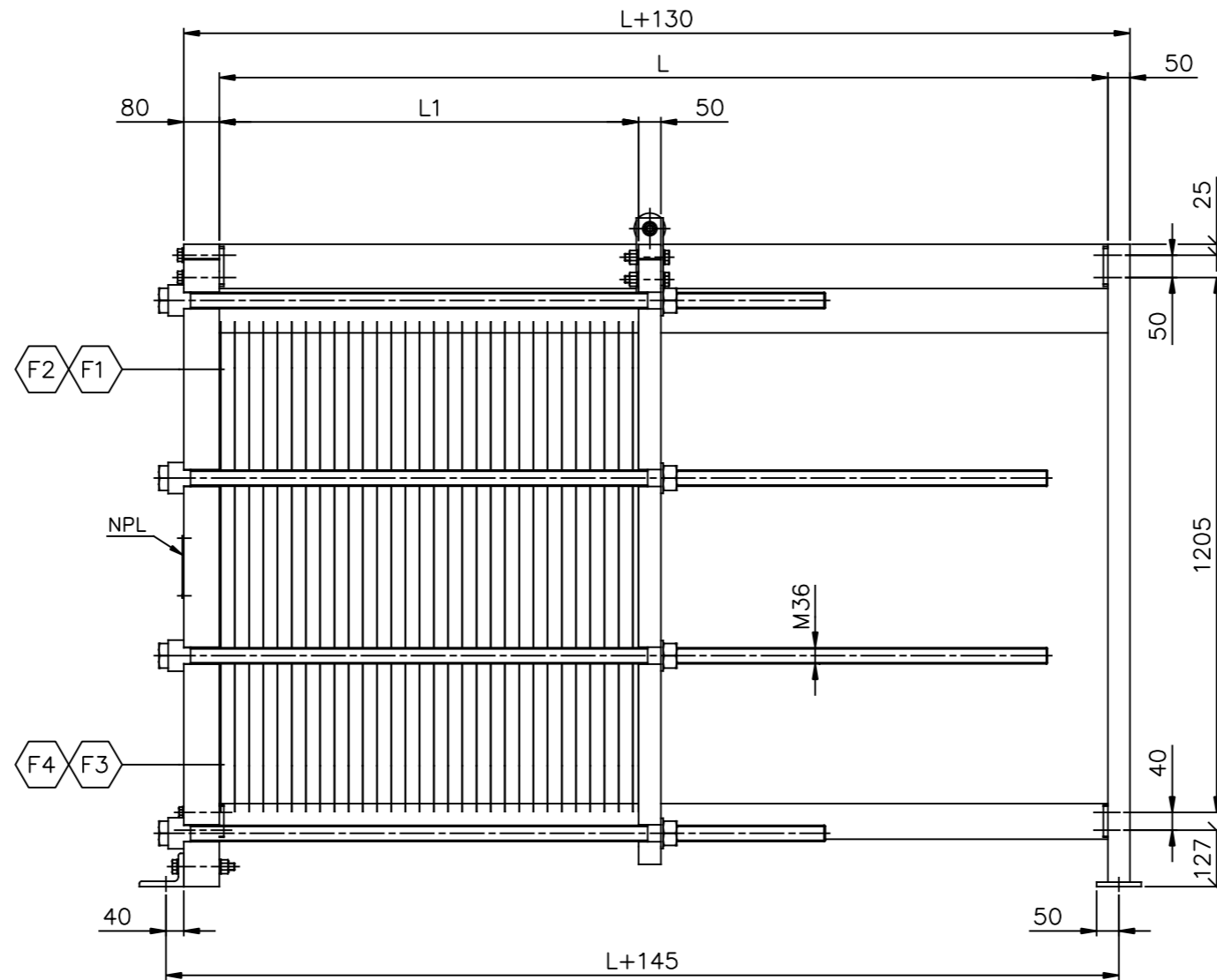
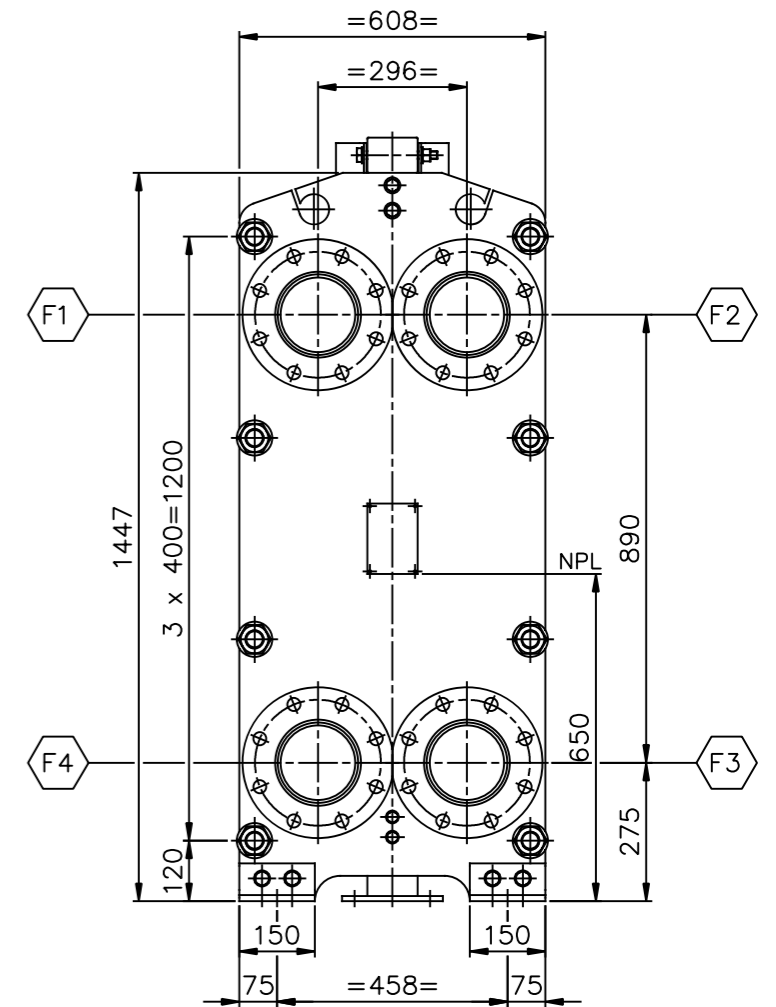



VIEW Q
BACK SIDE
SCALE: 1/10



ELEVATION
SCALE: 1/10



VIEW P
FRONT SIDE
SCALE: 1/10

Dimensions without tolerance:	Designed by	Approved by	Rev. no.	Revision Text	Format	Scale
	O.AKSAK	ARES	0	FOR APPROVAL	A1	1:10+VAR.
ISO projektion						
	Rev. date	Rev. by	Drawing no.			Sheet
	09-07-'12	HE	A6S-10025-01			1 OF 1