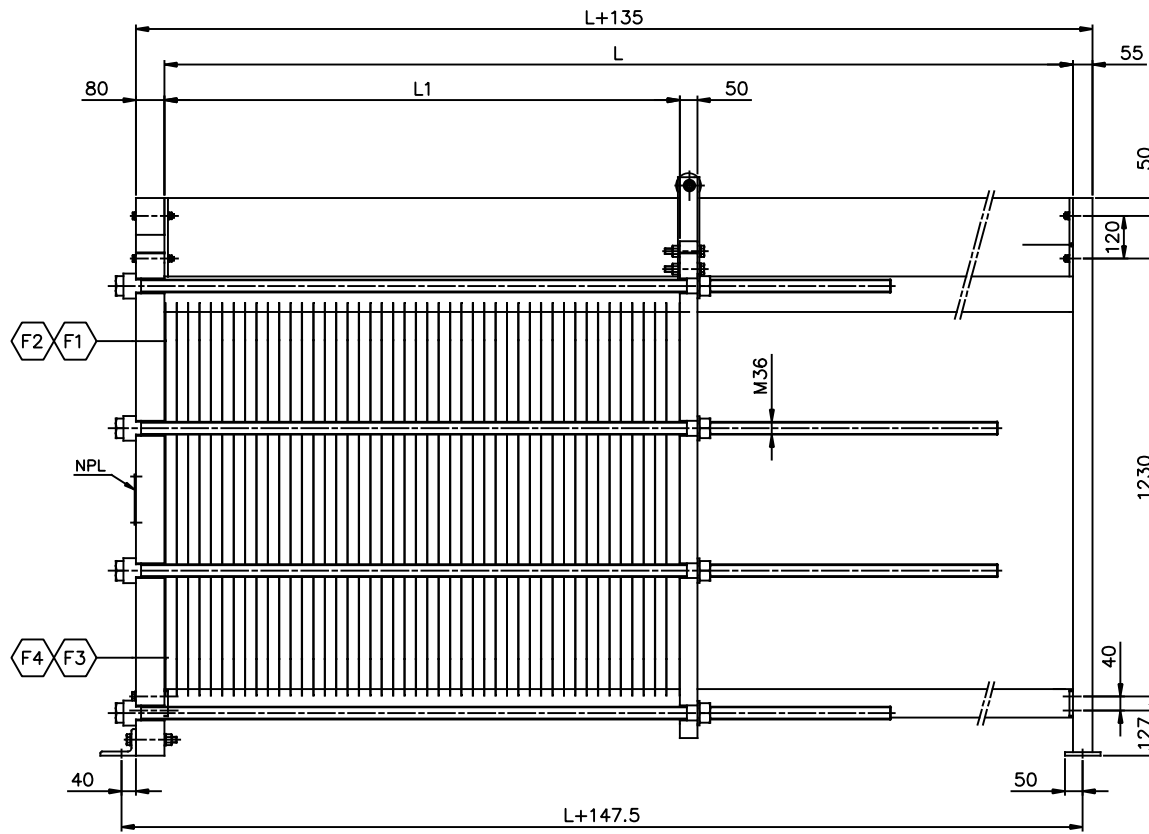
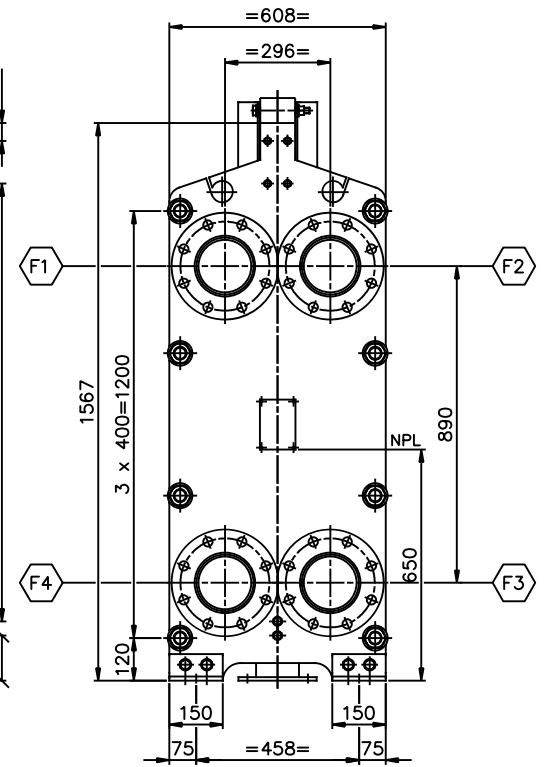


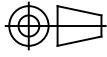

VIEW Q
REAR SIDE
SCALE: 1/10



ELEVATION
SCALE: 1/10



VIEW P
FRONT SIDE
SCALE: 1/10

Dimensions without tolerance:	Designed by ARES	Approved by ARES	Rev. no. 0	Revision Text FOR APPROVAL	Format A1	Scale 1:10+VAR.
	Description: PHE MODEL: A6S PN25 L=5000 ÷ 6000 MM GENERAL ARRANGEMENT					
ISOprojektion 			Rev.date 08-07-'12	Rev.by HE	Drawing no. A6S-40025-01	Sheet 1 OF 1