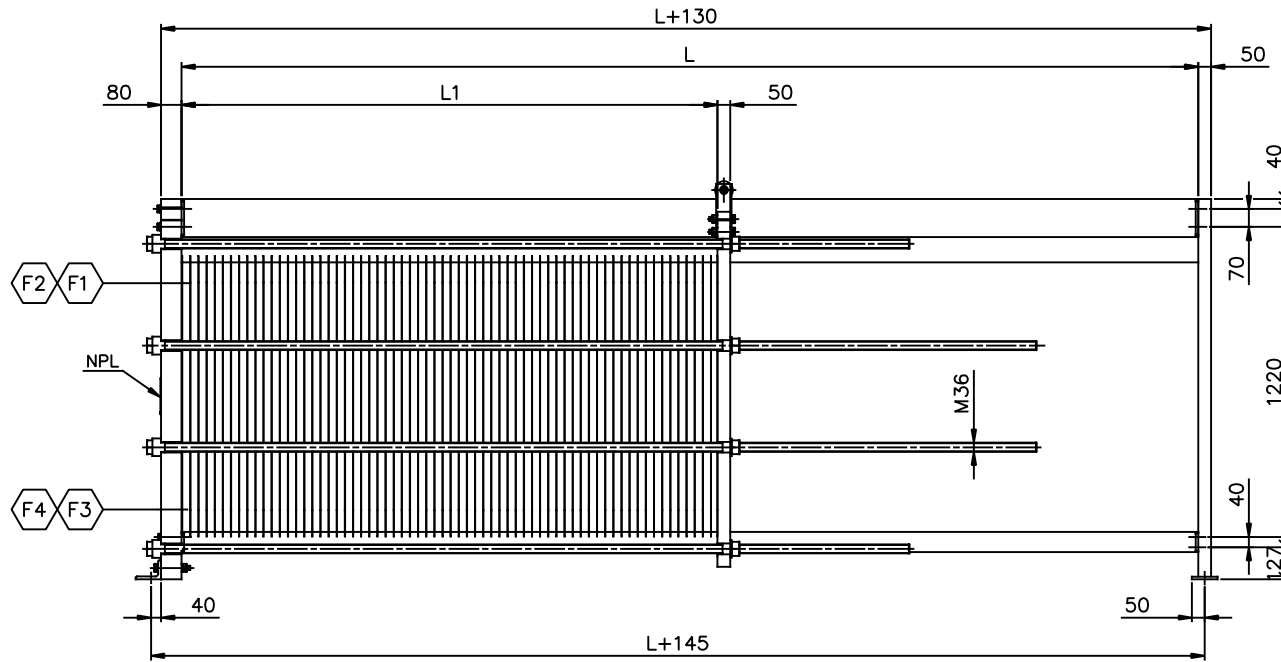
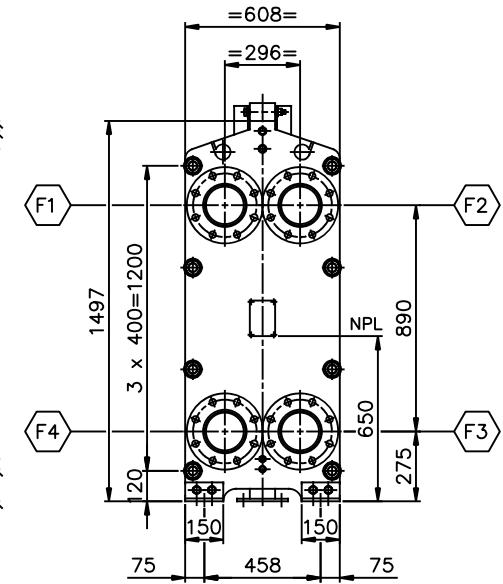


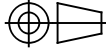
VIEW Q  
REAR SIDE  
SCALE: 1/15



ELEVATION  
SCALE: 1/15



VIEW P  
FRONT SIDE  
SCALE: 1/15

Dimensions without tolerance:	Designed by	Approved by	Rev. no.	Revision Text	Format	Scale
	O.AKSAK	ARES	0	FOR APPROVAL	A1	1:15+VAR.
ISOprojektion 	Description:					
	PHE MODEL: A6S PN25 L=2500 ÷ 4000 MM GENERAL ARRANGEMENT					
Rev.date	Rev.by	Drawing no.	Sheet			
01-07-'12	HE	A6S-30025-01	1 OF 1			

**ares**  
PHE