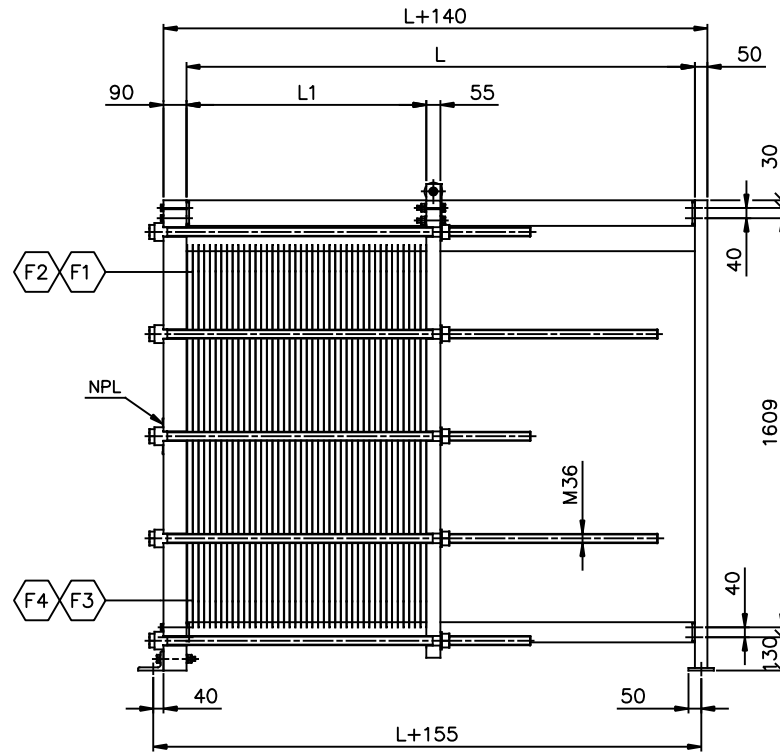
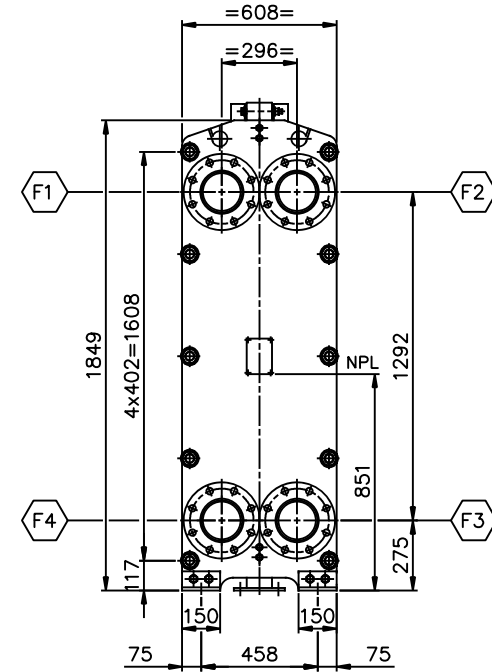


VIEW Q  
REAR SIDE  
SCALE: 1/15



ELEVATION  
SCALE: 1/15



VIEW P  
FRONT SIDE  
SCALE: 1/15

Dimensions without tolerance:	Designed by O.AKSAK	Approved by ARES	Rev. no. 0	Revision Text FOR APPROVAL	Format A1	Scale 1:15+VAR.
	Description: PHE MODEL: A6M PN25 L=600 ÷ 2000 MM GENERAL ARRANGEMENT					
ISOprojektion 			Rev.date 01-07-'12	Rev.by HE	Drawing no. A6M-10025-01	Sheet 1 OF 1