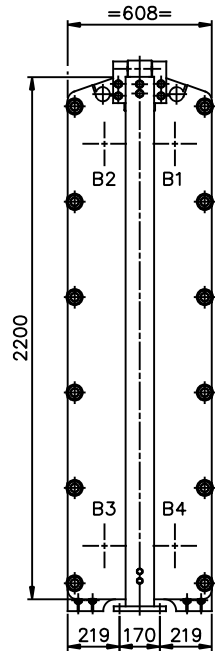
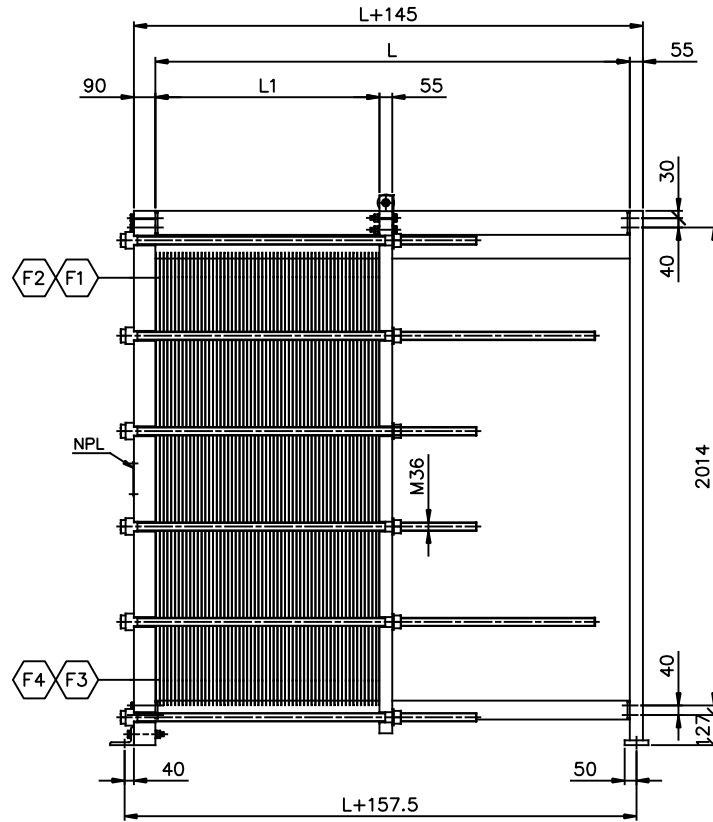


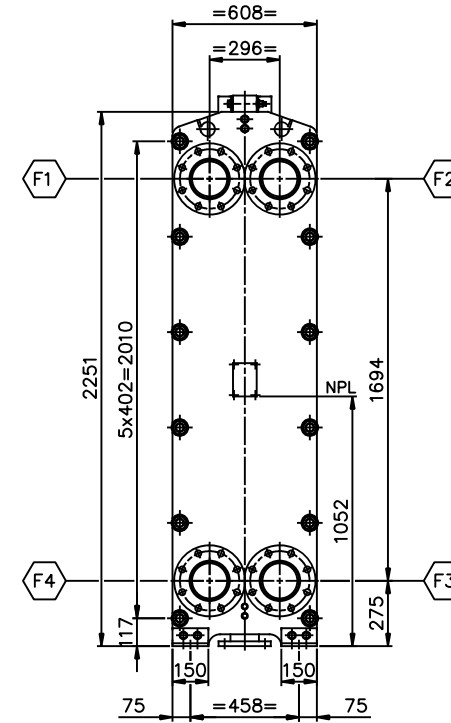
ISO VIEW



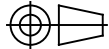
VIEW Q  
REAR SIDE  
SCALE: 1/15



ELEVATION  
SCALE: 1/15



VIEW P  
FRONT SIDE  
SCALE: 1/15

Dimensions without tolerance:	Designed by	Approved by	Rev. no.	Revision Text	Format	Scale
	O.AKSAK	ARES	0	FOR APPROVAL	A1	1:15+VAR.
ISO projektion 	Description:					
	PHE MODEL: A6L PN25 L=600 ÷ 2000 MM GENERAL ARRANGEMENT					
	Rev.date	Rev.by	Drawing no.	Sheet		
	07-07-'12	HE	A6L-10025-01	1 OF 1		

**ares**  
PHE