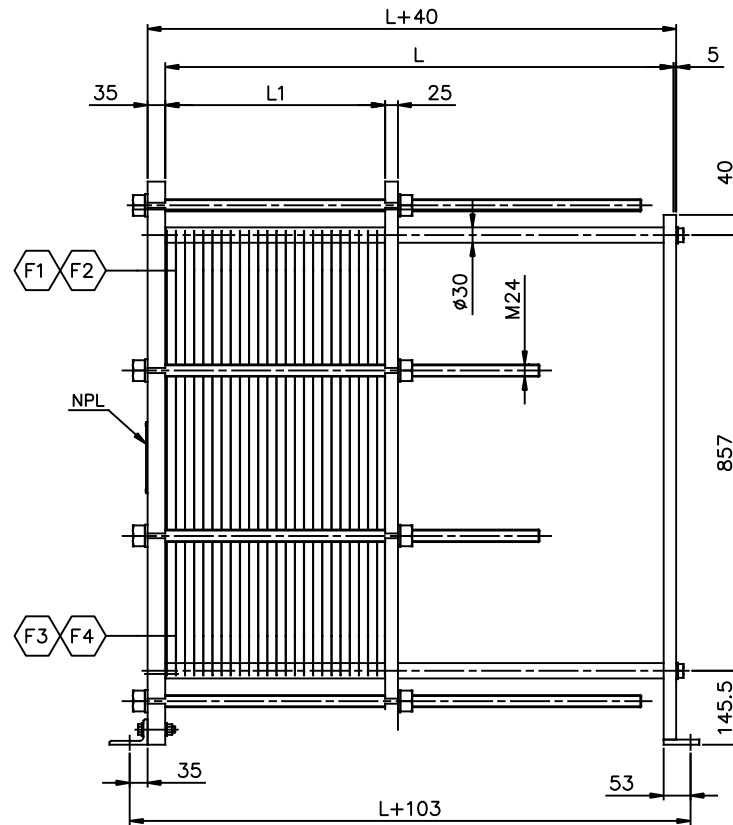
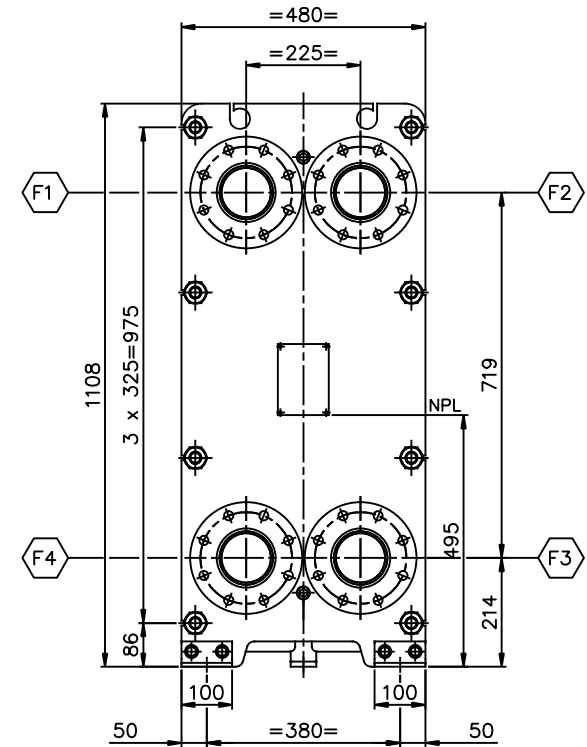



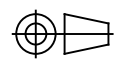
VIEW Q
REAR SIDE
SCALE: 1/7.5



ELEVATION
SCALE: 1/7.5



VIEW P
FRONT SIDE
SCALE: 1/7.5

| | | | | | | |
|---|---|---------------------|--|-------------------------------|-----------------------------|---------------------|
| Dimensions without tolerance: | Designed by O.AKSAK | Approved by ARES | Rev. no. 0 | Revision Text FOR APPROVAL | Format A1 | Scale 1:7.5+VAR. |
| |  | | Description: PHE MODEL: A4S PN10 L=400 ÷ 1000 MM GENERAL ARRANGEMENT | | | |
| ISO projection  | | | Rev. date 19-12-'12 | Rev. by HE | Drawing no. A4S-20010-01 | Sheet 1 OF 1 |