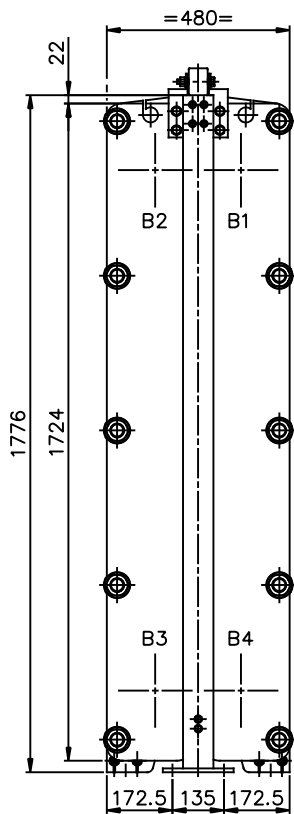
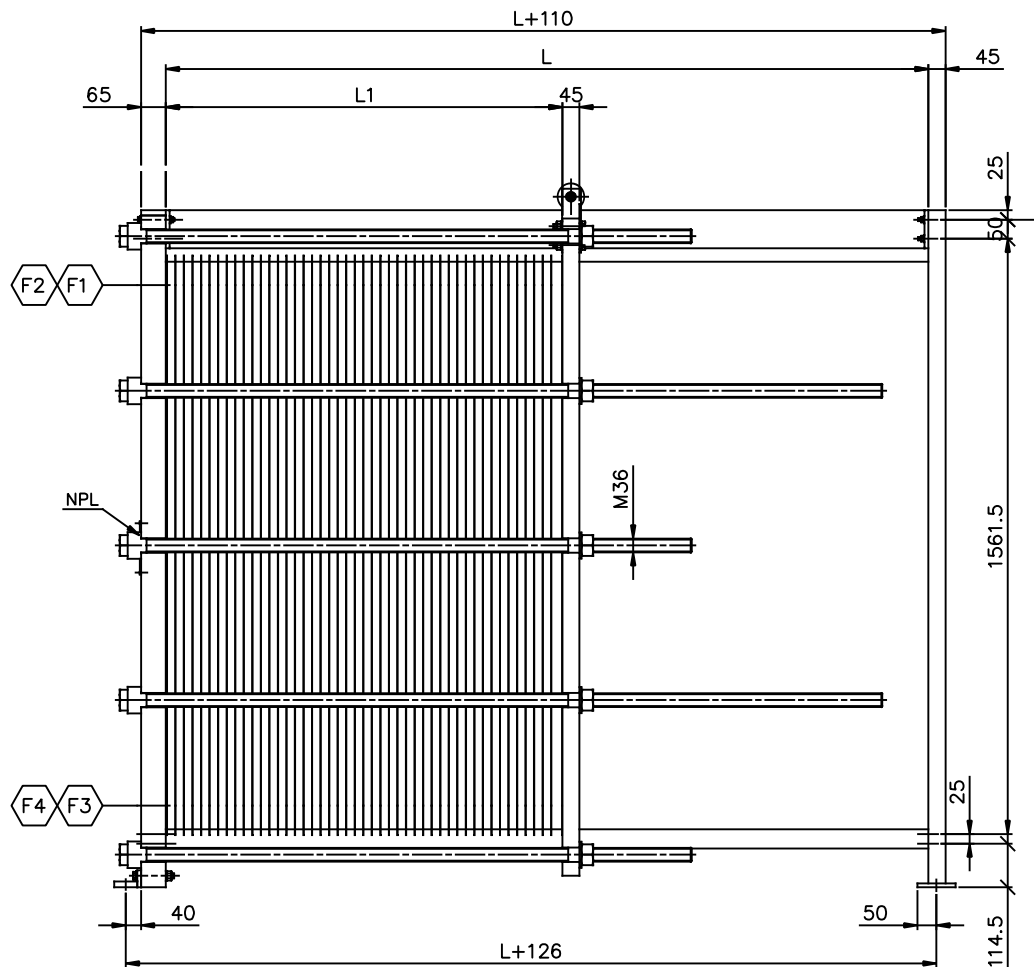


# FOUNDATION PLAN

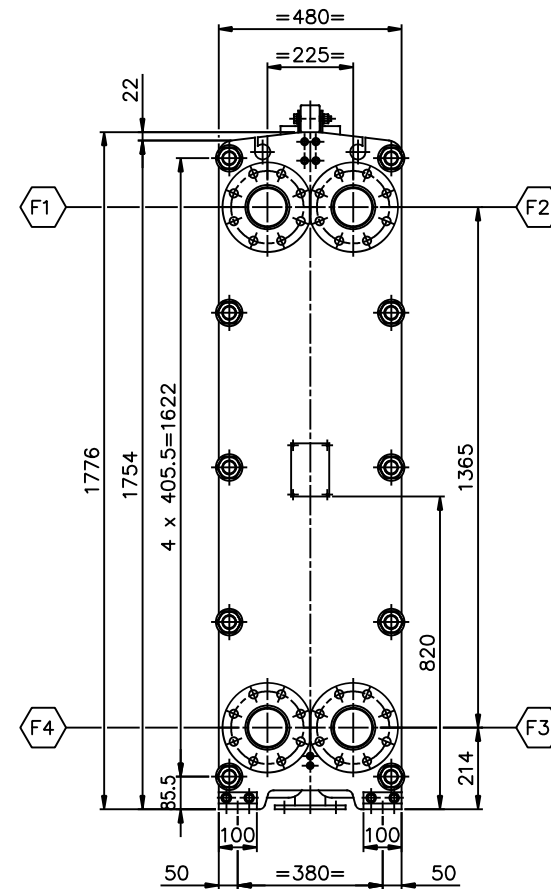
ISO VIEW



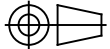
VIEW Q  
REAR SIDE  
SCALE: 1/10



ELEVATION  
SCALE: 1/10



VIEW P  
FRONT SIDE  
SCALE: 1/10

Dimensions without tolerance:  ISO projektion 	Designed by O.AKSAK	Approved by ARES	Rev. no. 0	Revision Text FOR APPROVAL	Format A1	Scale 1:10+VAR.
	Description: PHE MODEL: A4M PN25 L=600 ÷ 2000 MM GENERAL ARRANGEMENT					
	Rev. date 01-07-'12	Rev. by ARES	Drawing no. A4M-10025-01	Sheet 1 OF 1		

