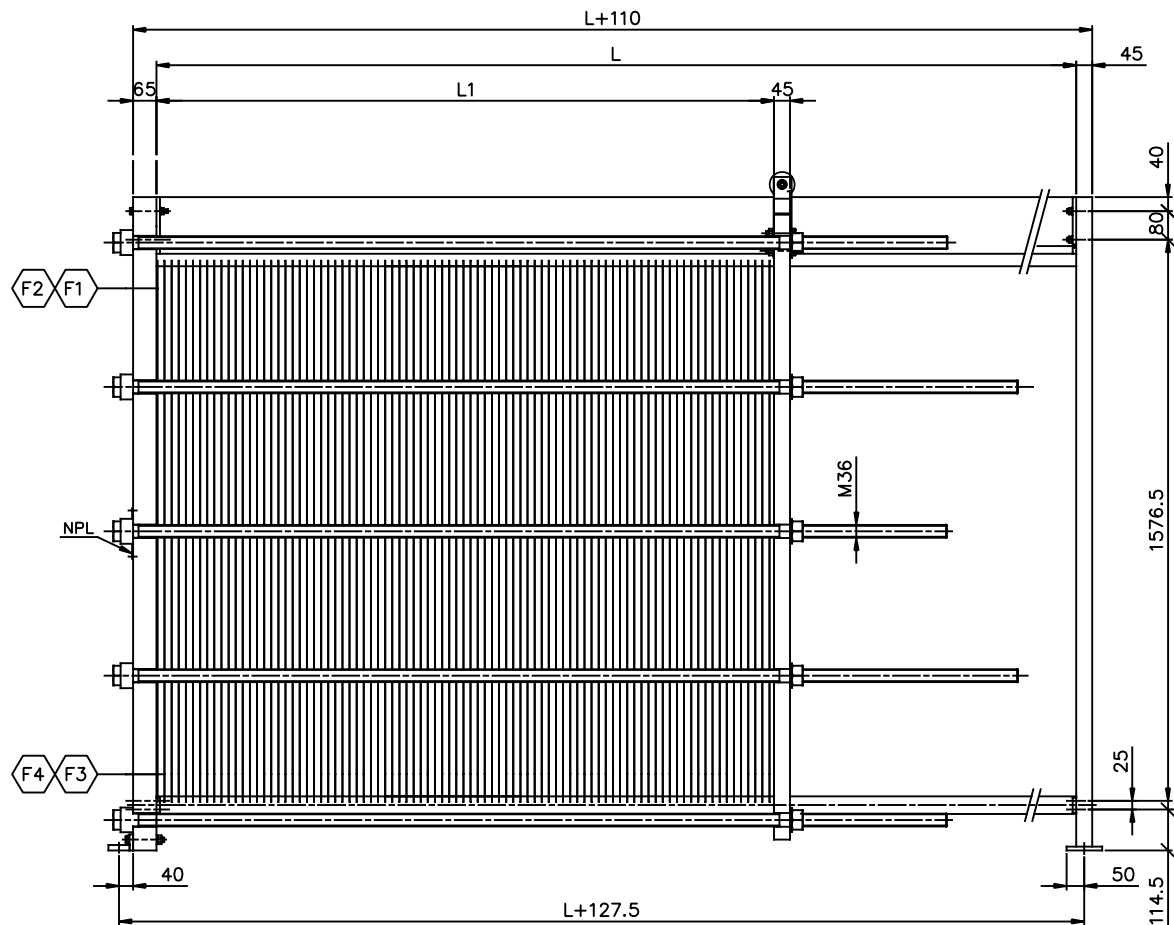
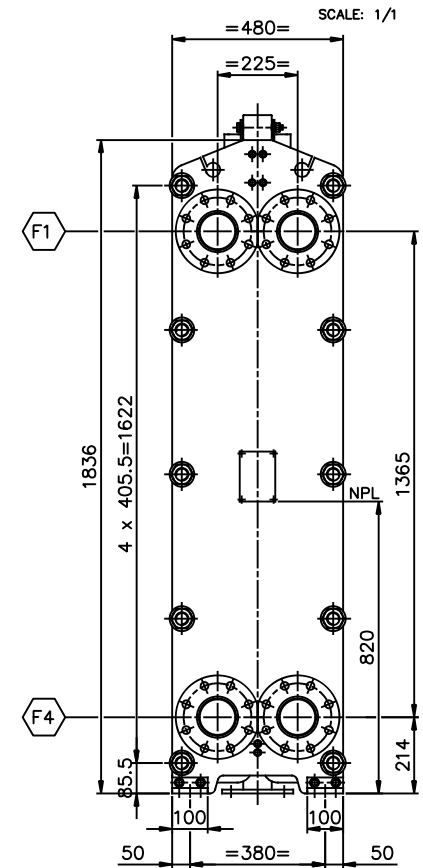



**VIEW Q**  
REAR SIDE  
SCALE: 1/10



**ELEVATION**  
SCALE: 1/10



**VIEW P**  
FRONT SIDE  
SCALE: 1/10

Dimensions without tolerance:	Designed by O.AKSAK	Approved by ARES	Rev. no. 0	Revision Text FOR APPROVAL	Format A1	Scale 1:10+VAR.
			Description: PHE MODEL: A4M PN25 L=2500 ÷ 4000 MM GENERAL ARRANGEMENT			
Rev. date 01-07-'12			Rev. by ARES	Drawing no. A4M-20025-01	Sheet 1 OF 1	

ISO projektion

