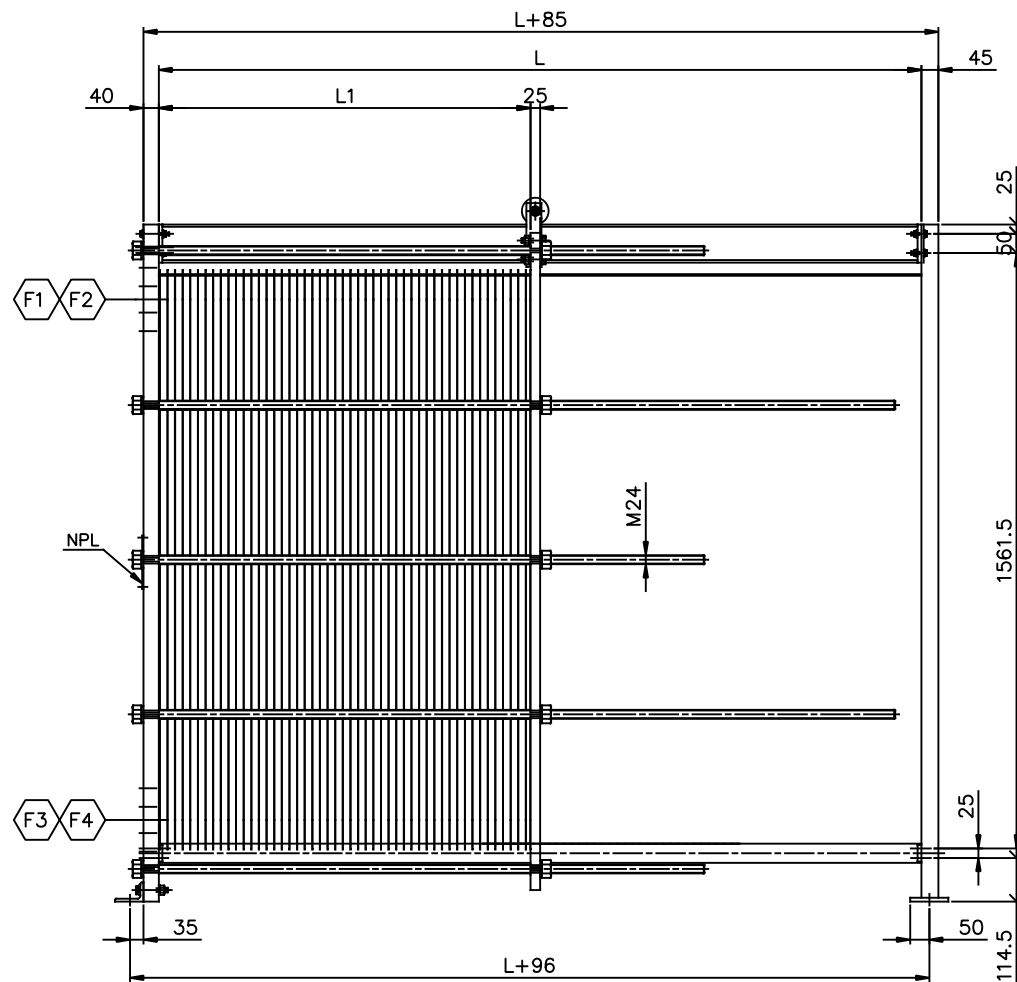
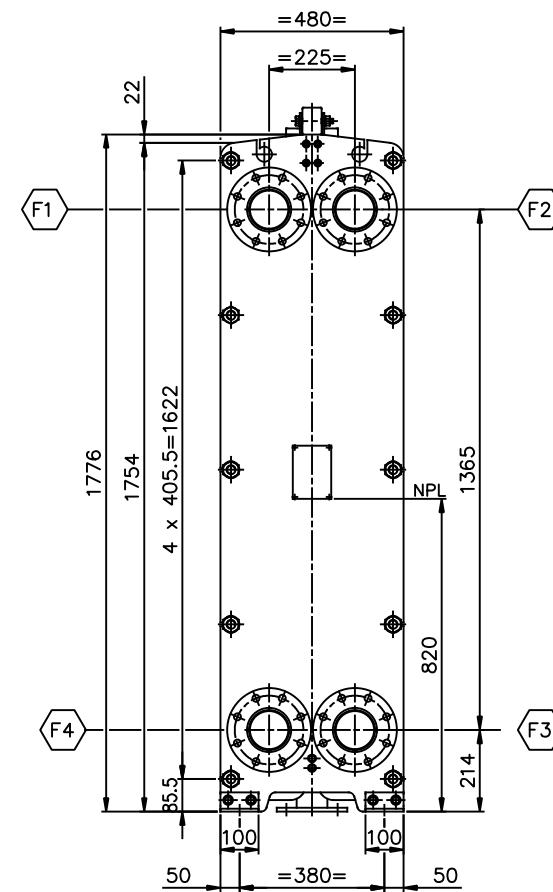


VIEW Q  
REAR SIDE  
SCALE: 1/10



ELEVATION  
SCALE: 1/10



VIEW P  
FRONT SIDE  
SCALE: 1/10

|                               |  |             |              |               |        |          |
|-------------------------------|--|-------------|--------------|---------------|--------|----------|
| Dimensions without tolerance: | Designed by  | Approved by | Rev. no.     | Revision Text | Format | Scale    |
|                               | O.AKSAK  | ARES        | 0            | FOR APPROVAL  | A1     | 1:10+VAR |
| ISO projektion                | Description:   |             |              |               |        |          |
|                               | PHE MODEL: A4M PN10 L=400 ÷ 2000 MM<br>GENERAL ARRANGEMENT |             |              |               |        |          |
|                               | Rev. date  | Rev. by     | Drawing no.  |               | Sheet  |          |
|                               | 03-07-'12  | ARES        | A4M-10010-01 |               | 1 OF 1 |          |

**ares**  
PHE