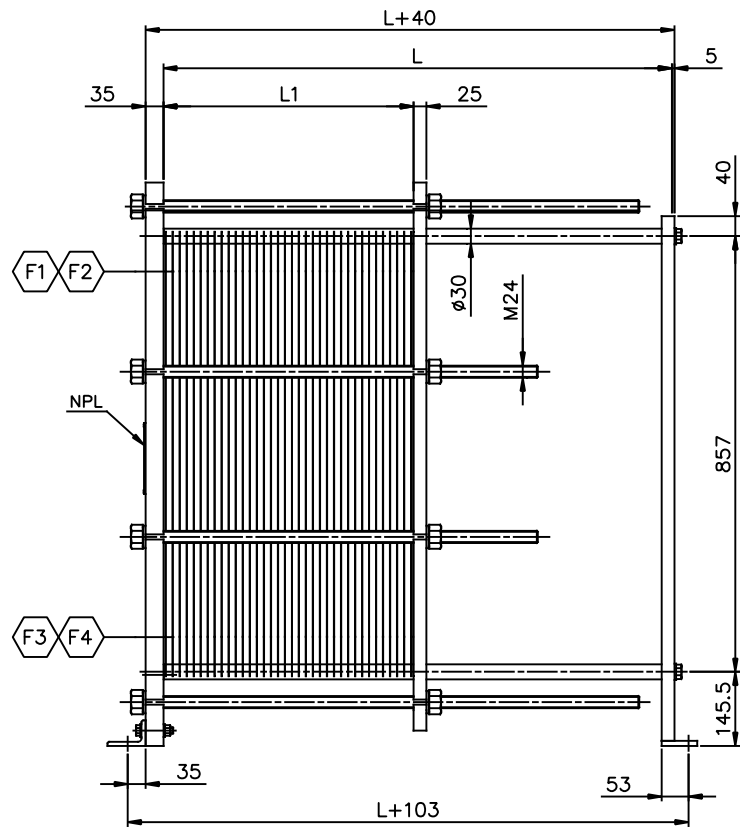
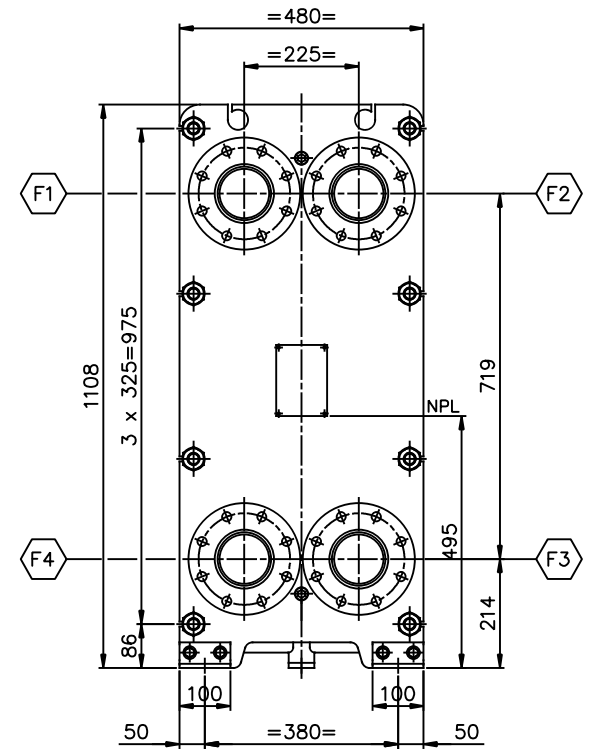



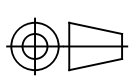
VIEW Q
REAR SIDE
SCALE: 1/7.5



ELEVATION
SCALE: 1/7.5



VIEW P
FRONT SIDE
SCALE: 1/7.5

Dimensions without tolerance:	Designed by	Approved by	Rev. no.	Revision Text	Format	Scale
	O.AKSAK	ARES	0	FOR APPROVAL	A1	1:7.5+VAR.
ISO projektion			Description:			
			PHE MODEL: A4A PN10 L=400 ÷ 1000 MM GENERAL ARRANGEMENT			
	Rev.date	Rev.by	Drawing no.	Sheet		
	19-12-'12	HE	A4A-20010-01	1 OF 1		