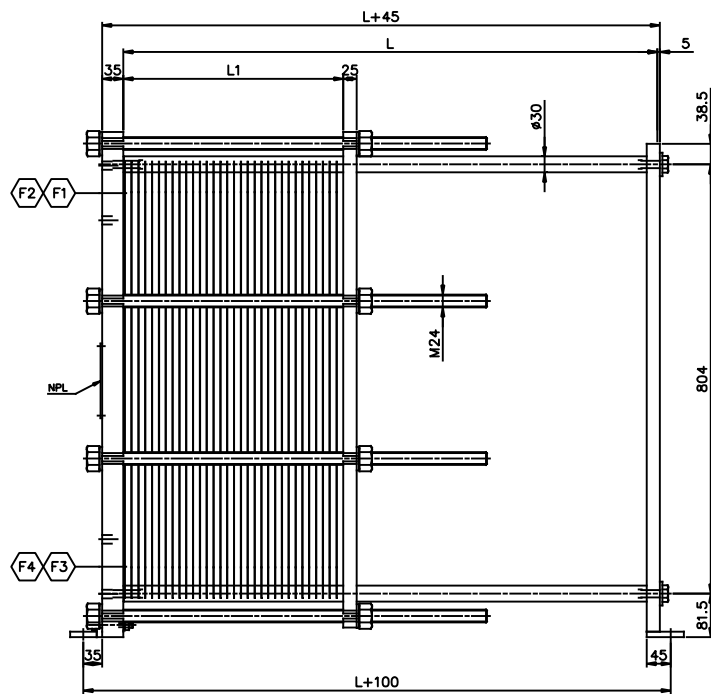
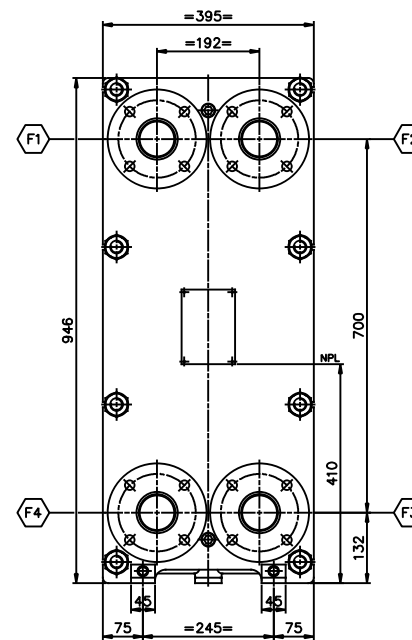



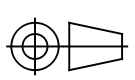
VIEW Q  
REAR SIDE  
SCALE: 1/5



ELEVATION  
SCALE: 1/5



VIEW P  
FRONT SIDE  
SCALE: 1/5

Dimensions without tolerance:	Designed by	Approved by	Rev. no.	Revision Text	Format	Scale
	O.AKSAK	ARES	0	FOR APPROVAL	A1	1: 5+VAR.
ISO projektion			Description:			
			PHE MODEL: A3M PN16 L=100 ÷ 1000 MM GENERAL ARRANGEMENT			
	Rev. date	Rev. by	Drawing no.		Sheet	
	17-06-'12	ARES	A3M-10016-01		1 OF 1	