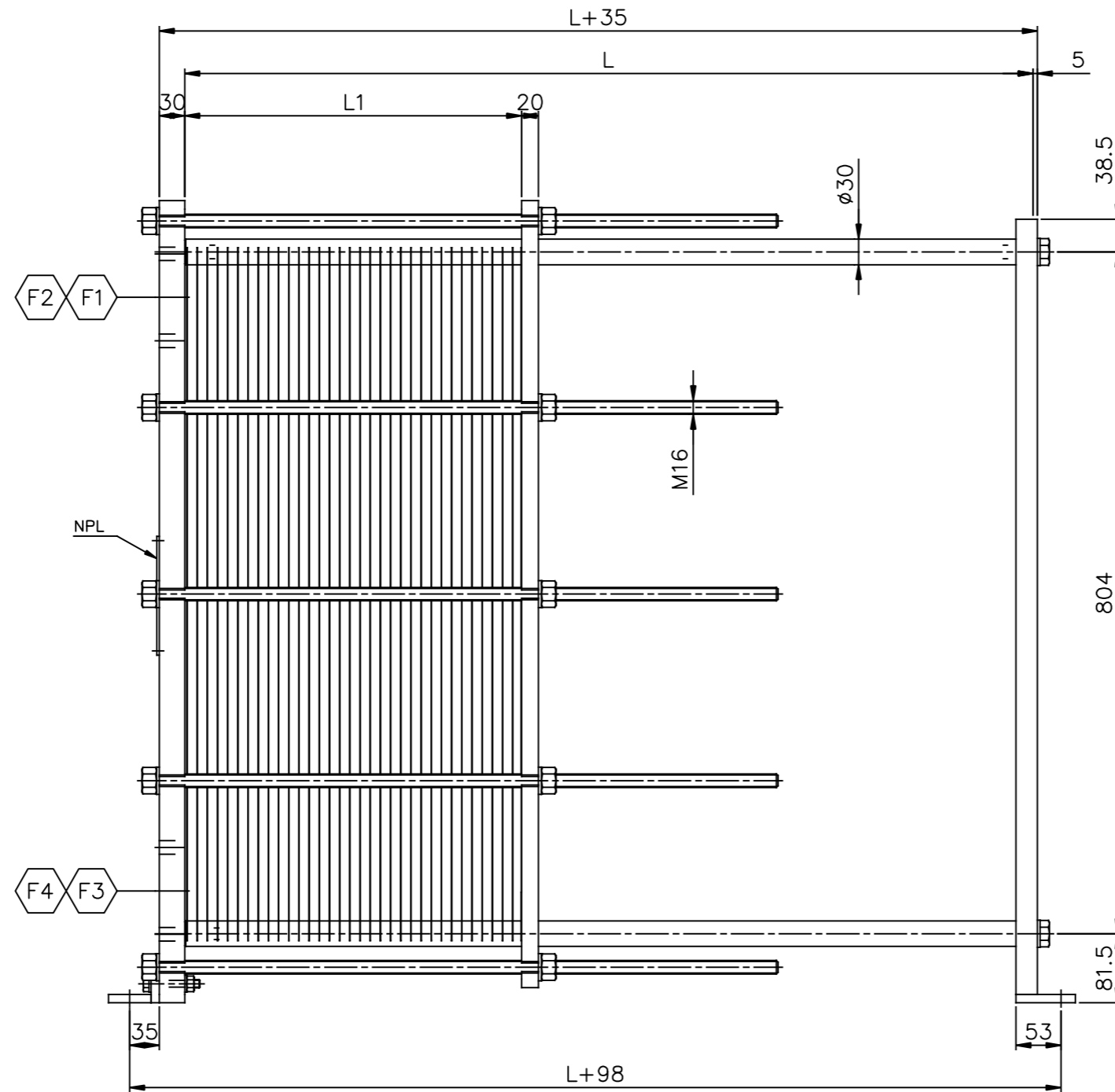
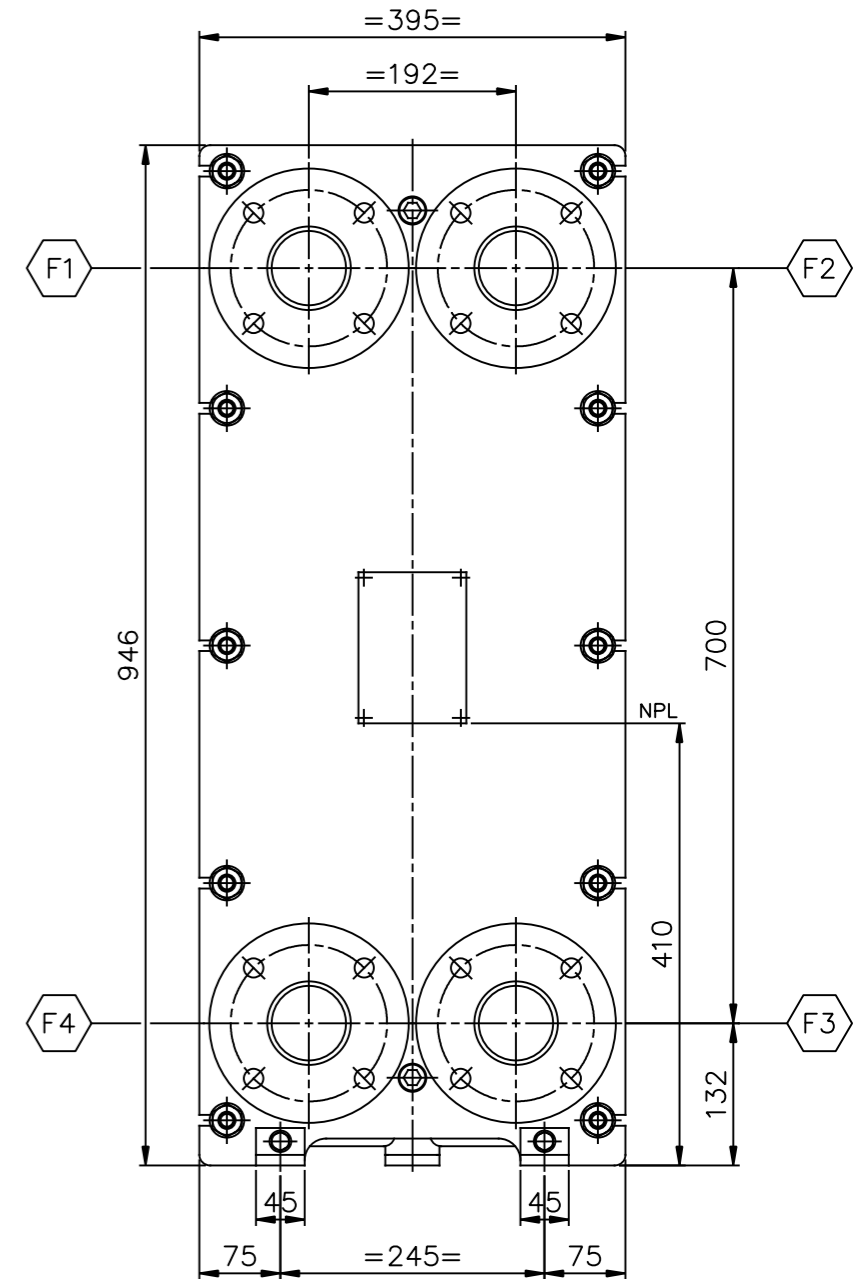



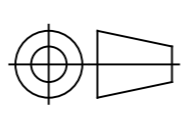
VIEW Q  
REAR SIDE  
SCALE: 1/5



ELEVATION  
SCALE: 1/5



VIEW P  
FRONT SIDE  
SCALE: 1/5

Dimensions without tolerance:	Designed by	Approved by	Rev. no.	Revision Text	Format	Scale
	O.AKSAK	ARES	0	FOR APPROVAL	A1	1:5+VAR.
ISO projektion			Description:			
			PHE MODEL: A3M PN10 L=100 ÷ 1000 MM GENERAL ARRANGEMENT			
	Rev.date	Rev.by	Drawing no.	Sheet		
	13-06-'12	HE	A3M-10010-01	1 OF 1		