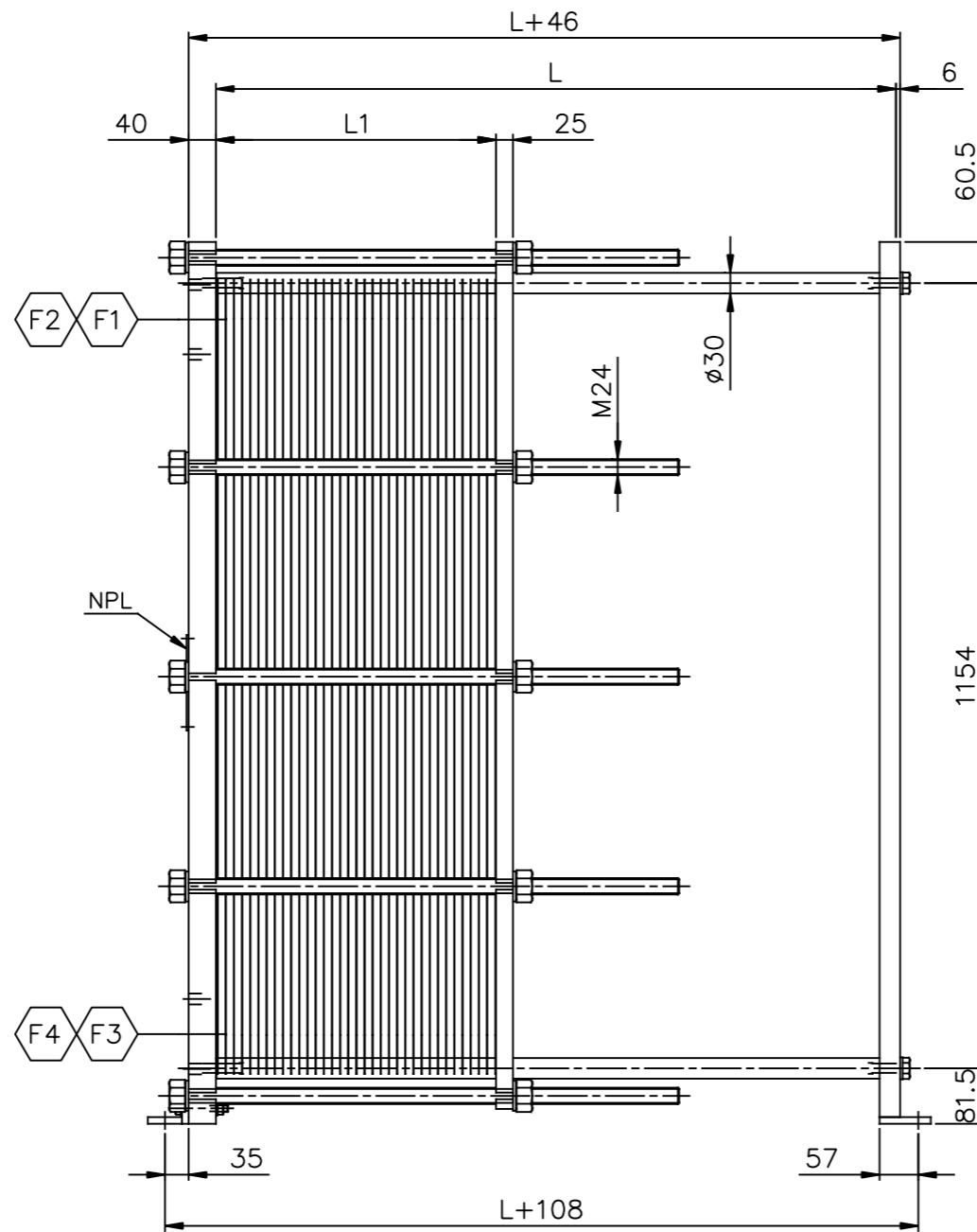
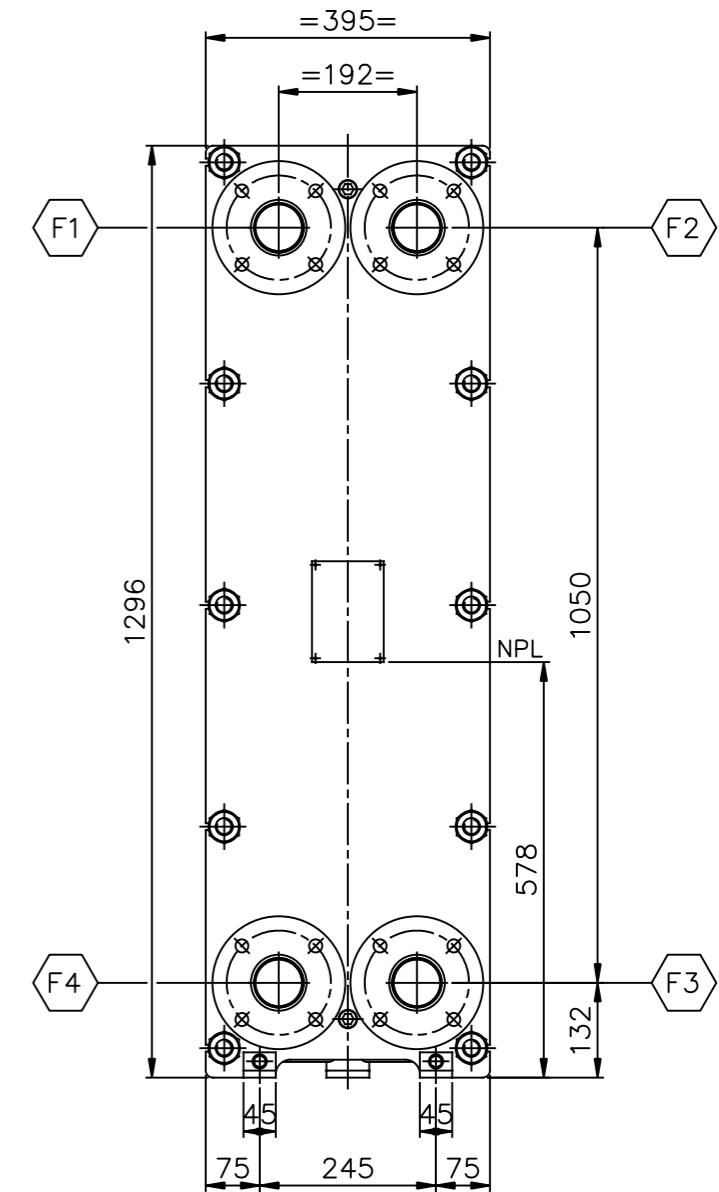


VIEW Q
REAR SIDE
SCALE: 1/7.5



ELEVATION
SCALE: 1/7.5



VIEW P
FRONT SIDE
SCALE: 1/7.5

Dimensions without tolerance:	Designed by	Approved by	Rev. no.	Revision Text	Format	Scale
	O.AKSAK	ARES	0	FOR APPROVAL	A1	1:7.5+VAR.
ISO projektion			Description:			
			PHE MODEL: A3L PN16 L=100 ÷ 1000 MM GENERAL ARRANGEMENT			
	Rev. date	Rev. by	Drawing no.	Sheet		
	23-06-'12	HE	A3L-10016-01	1 OF 1		