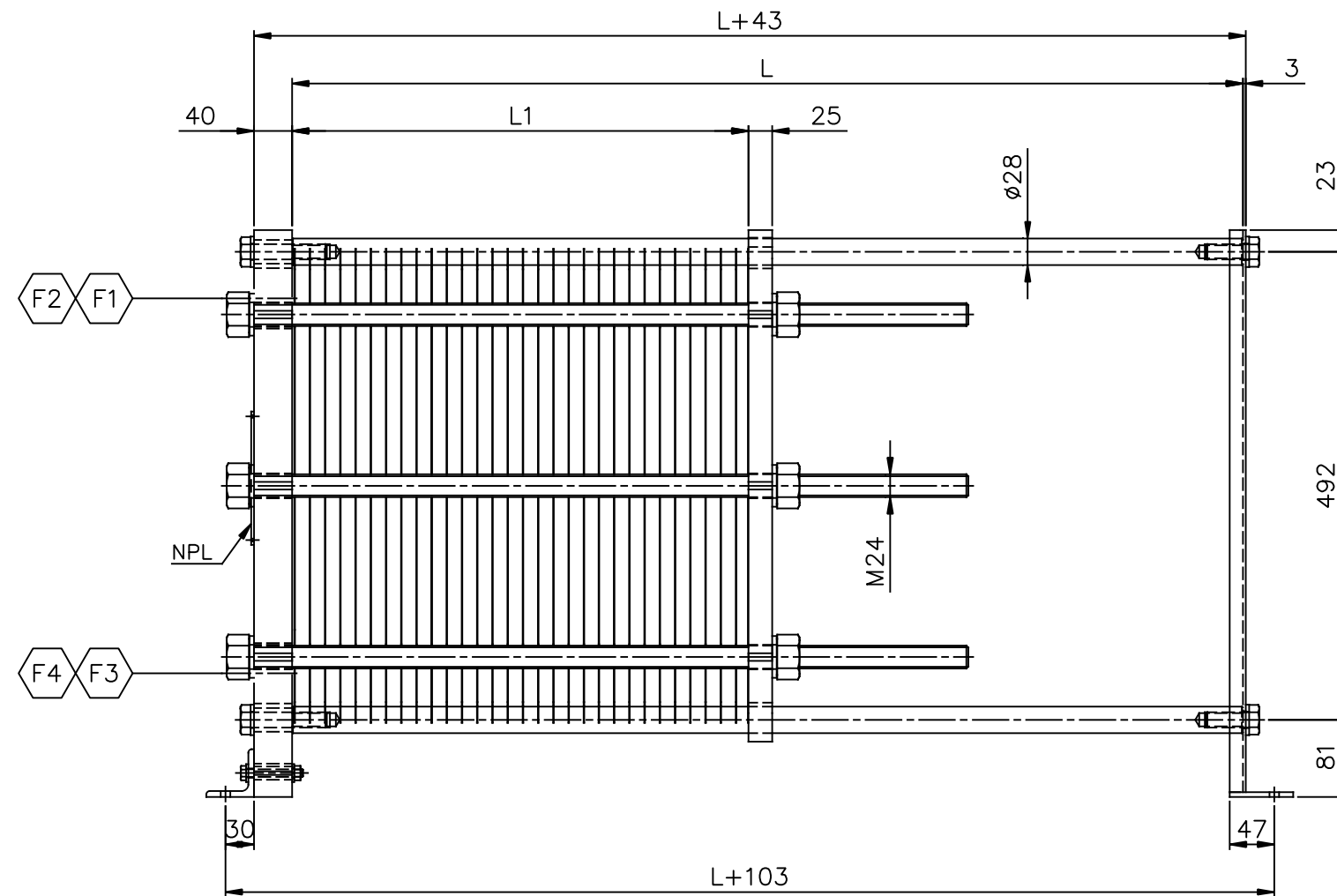
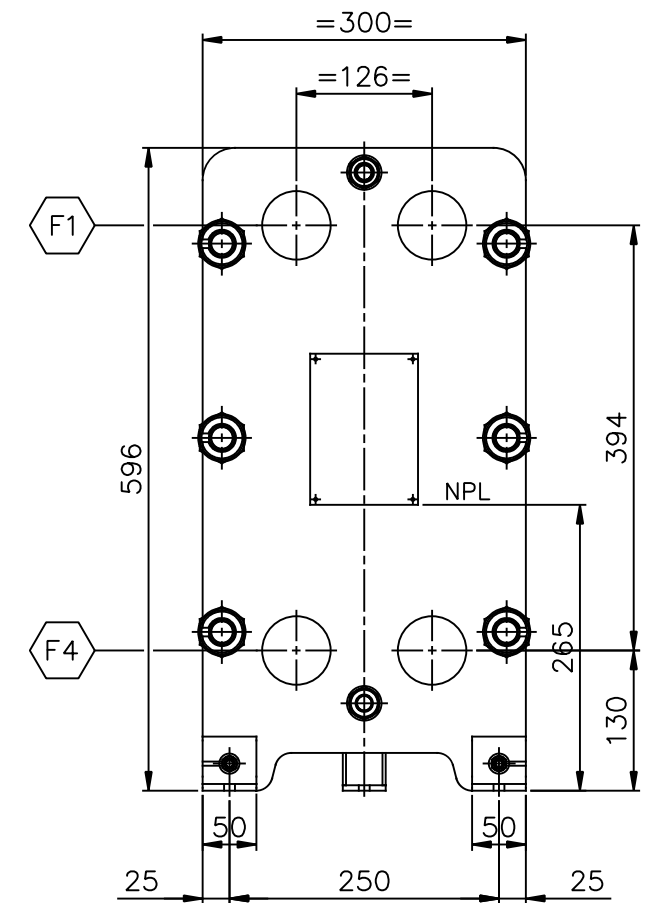



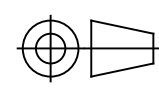
VIEW Q
SCALE: 1/5



ELEVATION
SCALE: 1/5



VIEW P
SCALE: 1/5

| | | | | | | |
|---|---|-------------|--|---------------|--------|-----------|
| Dimensions without tolerance: | Designed by | Approved by | Rev. no. | Revision Text | Format | Scale |
| | O.AKSAK | ARES | 0 | FOR APPROVAL | A1 | 1: 5+VAR. |
| ISO projektion |  | | Description: | | | |
| | | | PHE MODEL: A2S PN25 L=100 ÷ 1000 MM GENERAL ARRANGEMENT | | | |
|  | | Rev. date | Rev. by | Drawing no. | Sheet | |
| | | 18-06-'12HE | | A2S-10025-01 | 1 OF 1 | |