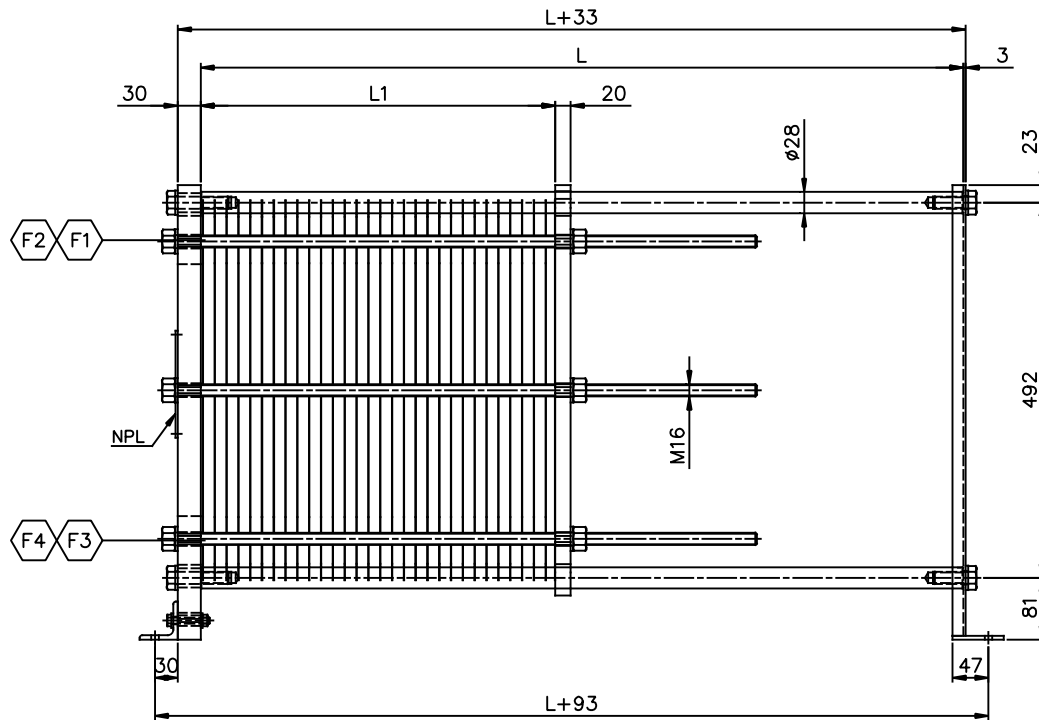
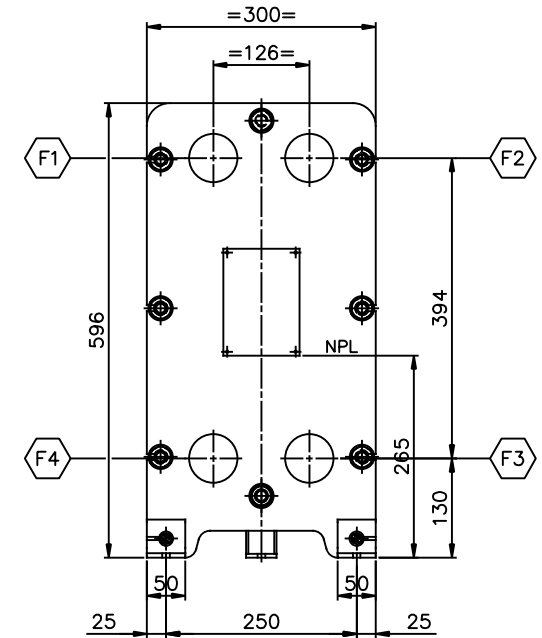


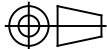
VIEW Q  
SCALE: 1/5



ELEVATION  
SCALE: 1/5



VIEW P  
SCALE: 1/5

Dimensions without tolerance:	Designed by	Approved by	Rev. no.	Revision Text	Format	Scale
	O.AKSAK	ARES	0	FOR APPROVAL	A1	1: 5+VAR.
ISO projektion 	<b>ares</b> PHE					
Rev. date	Rev. by	Drawing no.		Sheet		
18-06-'12	HE	A2S-10016-01		1 OF 1		