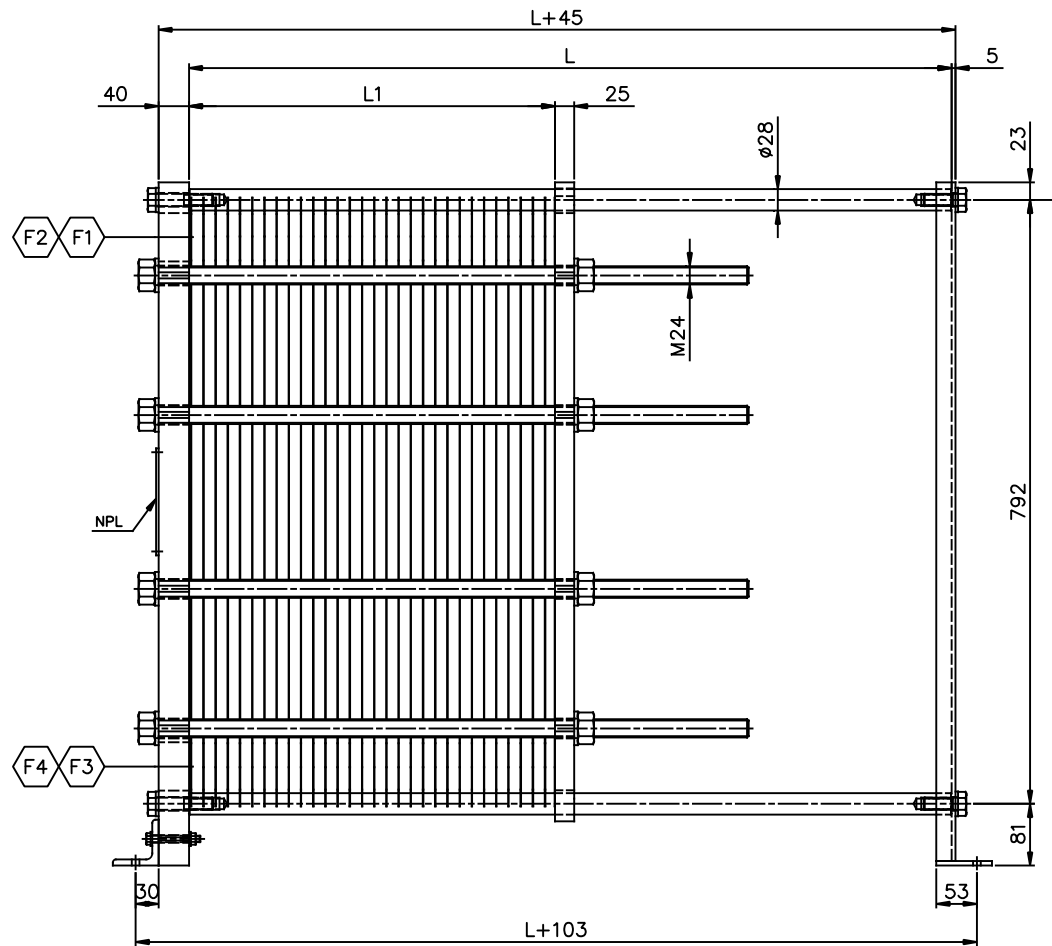
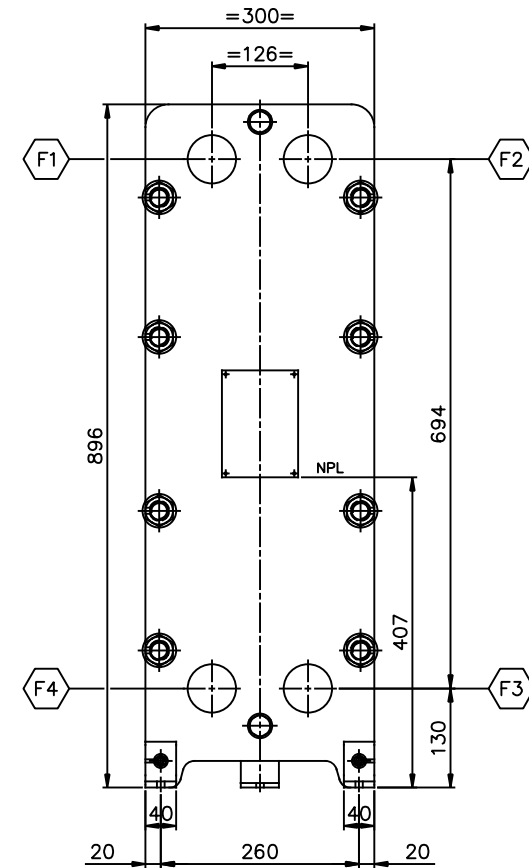


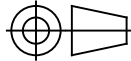
VIEW Q  
SCALE: 1/5



ELEVATION  
SCALE: 1/5



VIEW P  
SCALE: 1/5

Dimensions without tolerance:	Designed by	Approved by	Rev. no.	Revision Text	Format	Scale
	O.AKSAK	ARES	0	FOR APPROVAL	A1	1: 5+VAR.
ISO projektion 	Description:					
	PHE MODEL: A2M PN25 L=100 ÷ 1000 MM GENERAL ARRANGEMENT					
	Rev. date	Rev. by	Drawing no.		Sheet	
	25-06-'12	ARES	A2M-10025-01		1 OF 1	

**ares**  
PHE