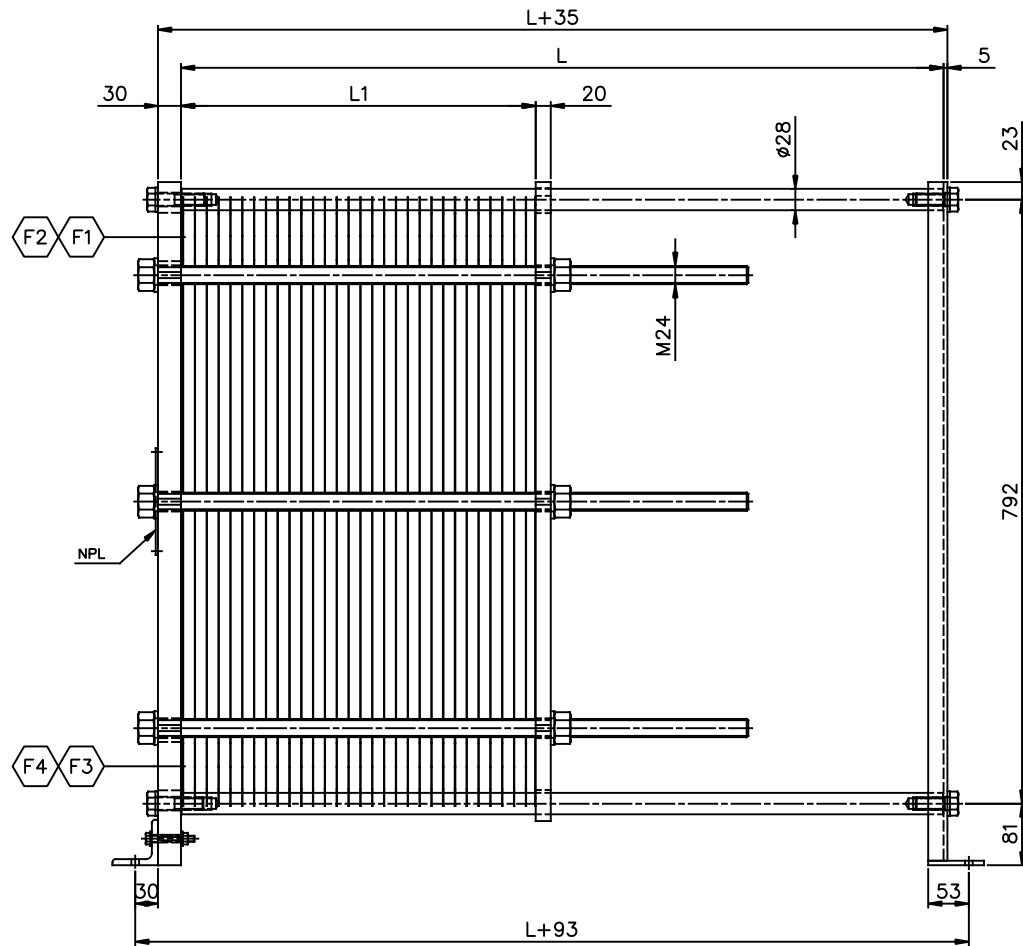
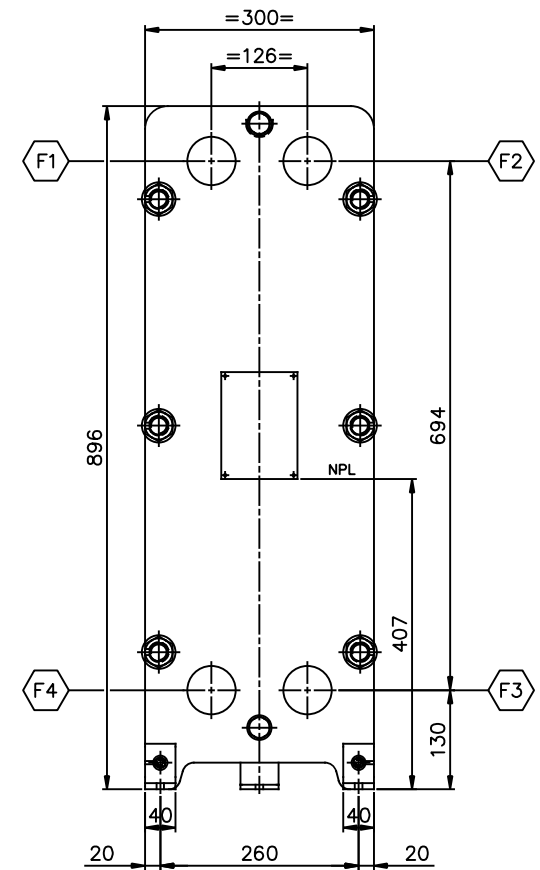


VIEW Q  
SCALE: 1/5



ELEVATION  
SCALE: 1/5



VIEW P  
SCALE: 1/5

Dimensions without tolerance:  ISO projection 	Designed by O.AKSAK	Approved by ARES	Rev. no. 0	Revision Text FOR APPROVAL	Format A1	Scale 1: 5+VAR.
	Description: PHE MODEL: A2M PN16 L=100 ÷ 1000 MM GENERAL ARRANGEMENT					
	Rev. date 25-06-'12	Rev. by ARES	Drawing no. A2M-10016-01	Sheet 1 OF 1		

**ares**  
PHE