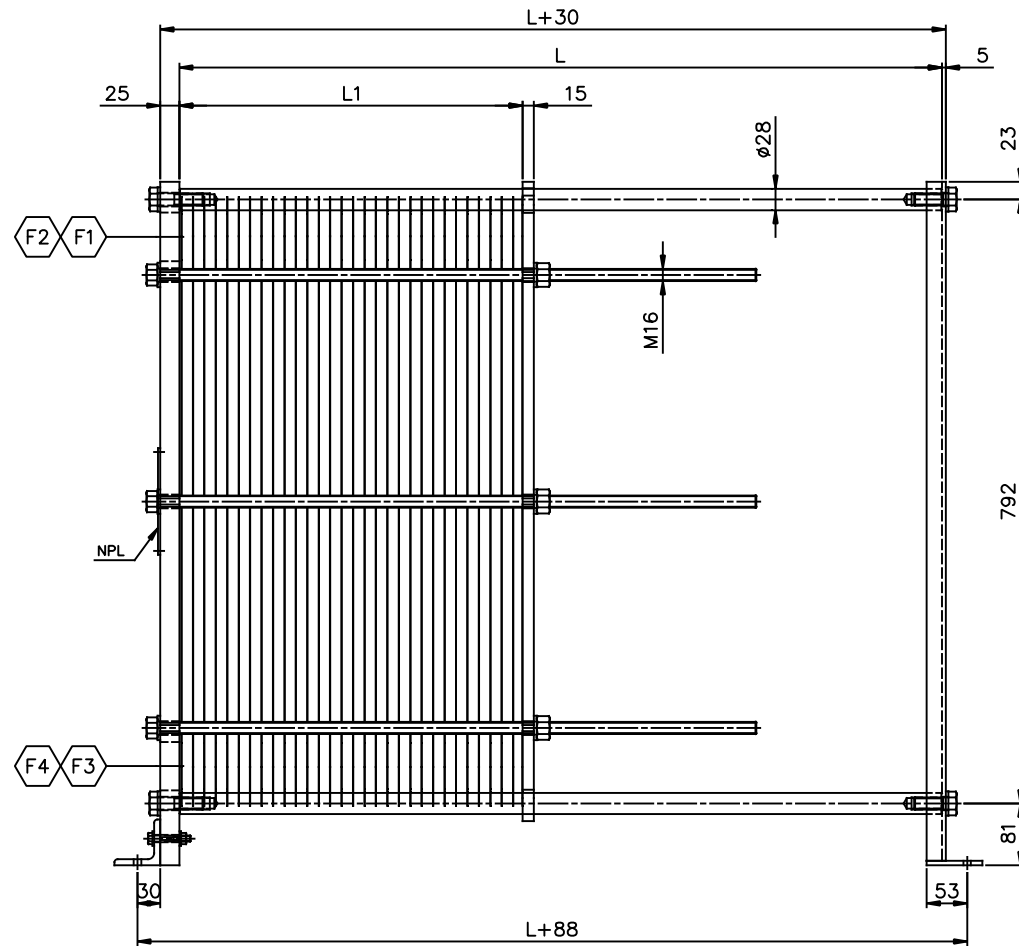
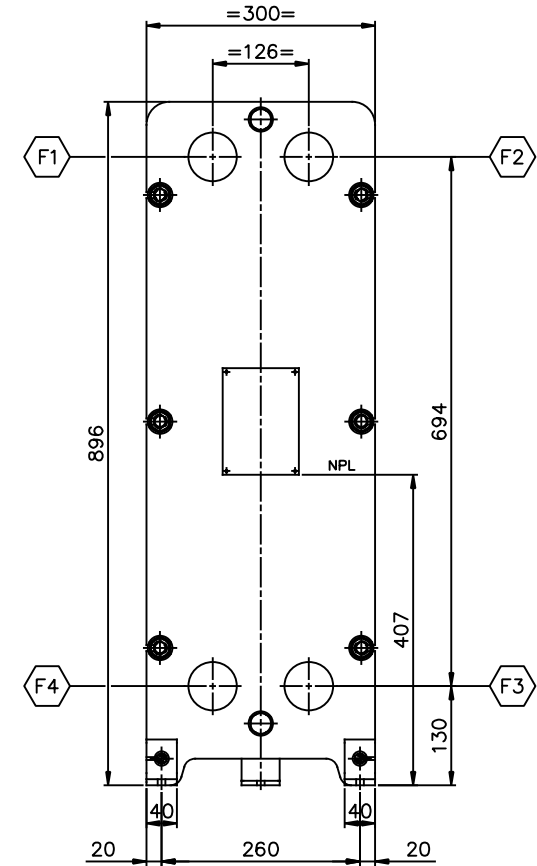


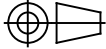
VIEW Q
SCALE: 1/5



ELEVATION
SCALE: 1/5



VIEW P
SCALE: 1/5

Dimensions without tolerance:	Designed by	Approved by	Rev. no.	Revision Text	Format	Scale
	O.AKSAK	ARES	0	FOR APPROVAL	A1	1: 5+VAR.
ISO projektion	Description:					
	PHE MODEL: A2M PN10 L=100 ÷ 1000 MM GENERAL ARRANGEMENT					
	Rev. date	Rev. by	Drawing no.		Sheet	
	25-06-'12	ARES	A2M-10010-01		1 OF 1	

