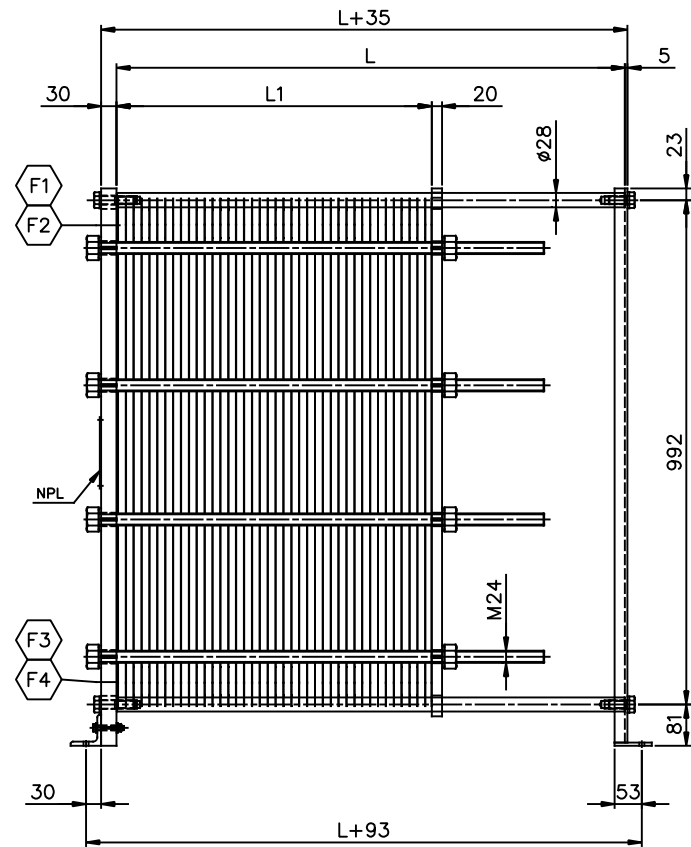
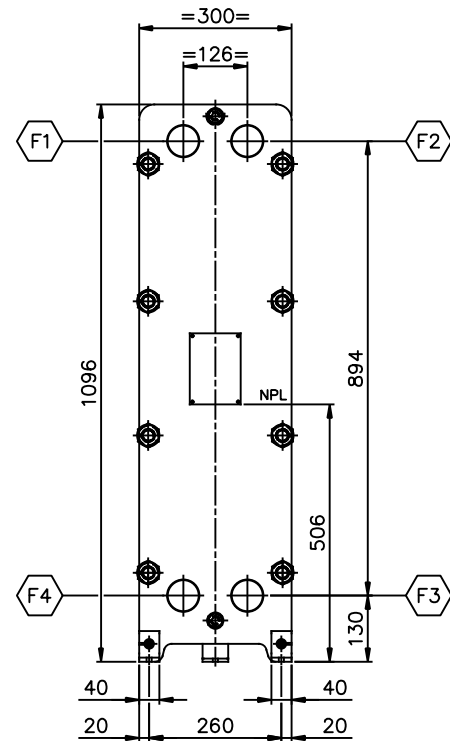




VIEW Q  
REAR SIDE  
SCALE: 1/7.5



ELEVATION  
SCALE: 1/7.5



VIEW P  
FRONT SIDE  
SCALE: 1/7.5

Dimensions without tolerance:	Designed by	Approved by	Rev. no.	Revision Text	Format	Scale
	O.AKSAK	ARES	0	FOR APPROVAL	A1	1:7.5+VAR
ISO projektion			Description:			
			PHE MODEL: A2L PN16 L=100 ÷ 1000 MM GENERAL ARRANGEMENT			
	Rev. date	Rev. by	Drawing no.	Sheet		
	18-06-'12	ARES	A2L-10016-01	1 OF 1		