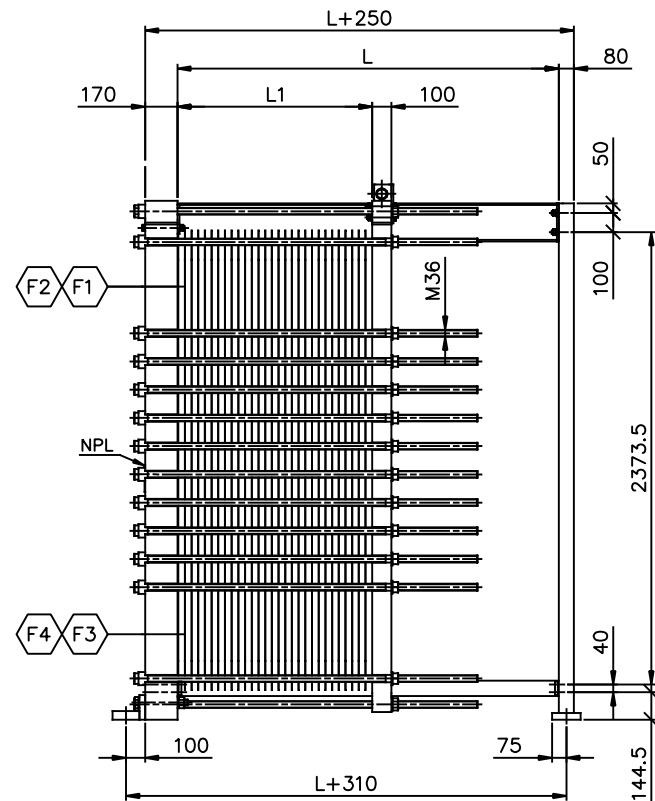
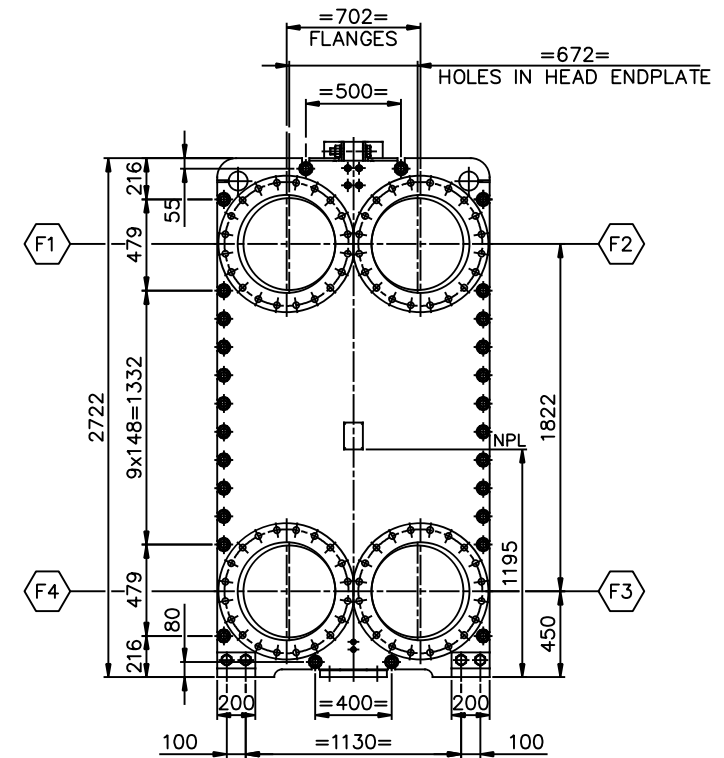


VIEW Q
REAR SIDE
SCALE: 1/20



ELEVATION
SCALE: 1/20



VIEW P
FRONT SIDE
SCALE: 1/20

Dimensions without tolerance:	Designed by O.AKSAK	Approved by ARES	Rev. no. 0	Revision Text FOR APPROVAL	Format A1	Scale 1: 20+ VAR.
	Description: PHE MODEL: A20M PN16 L=600 ÷ 2000 MM GENERAL ARRANGEMENT					
ISOprojektion 	ares PHE		Rev. date 17-07-'12	Rev. by HE	Drawing no. A20M-10016-01	Sheet 1 OF 1