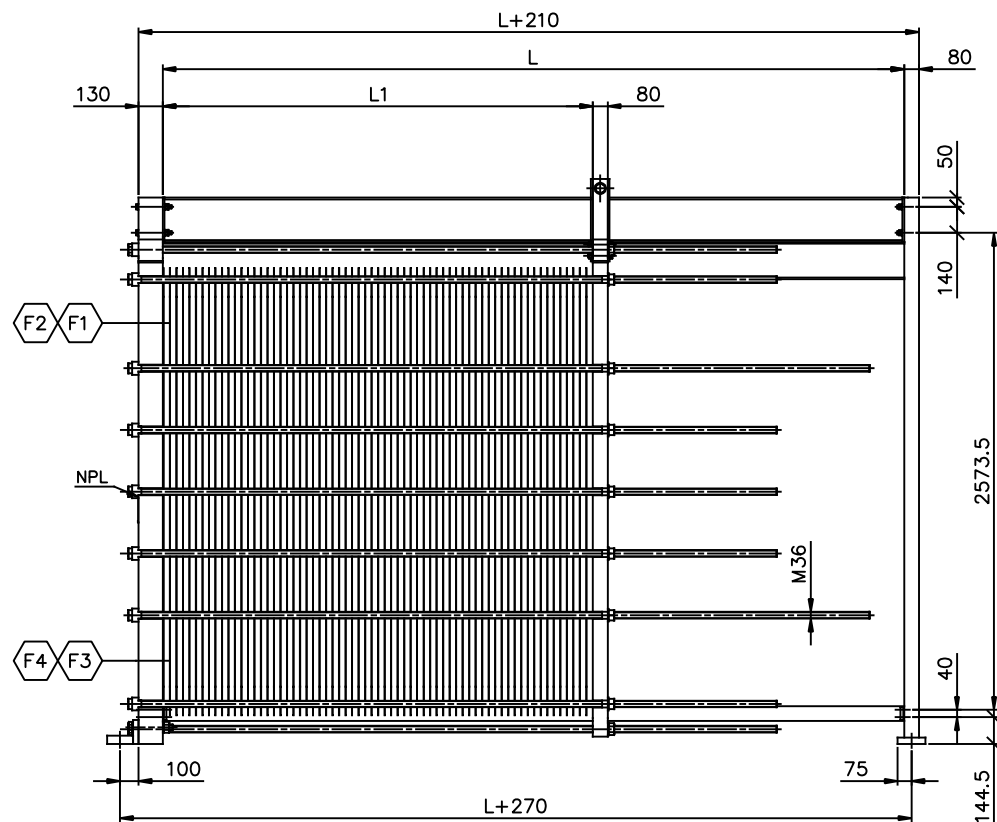
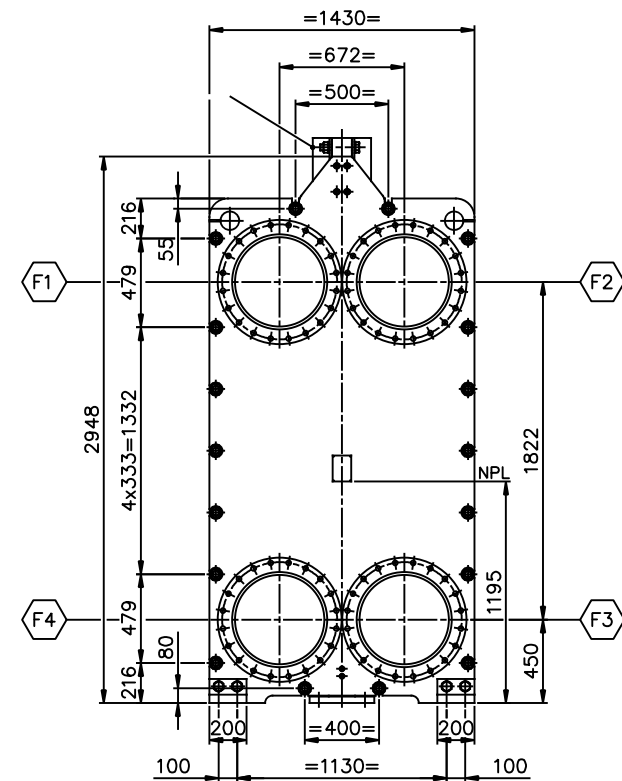


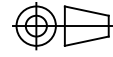
**VIEW Q**  
REAR SIDE  
SCALE: 1/20



**ELEVATION**  
SCALE: 1/20



**VIEW P**  
FRONT SIDE  
SCALE: 1/20

Dimensions without tolerance:	Designed by	Approved by	Rev. no.	Revision Text	Format	Scale
	O.AKSAK	ARES	0	FOR APPROVAL	A1	1:20+VAR.
ISOprojektion	Description:					
	PHE MODEL: A20M PN10 L=2500 ÷ 4000 MM GENERAL ARRANGEMENT					
	Rev.date	Rev.by	Drawing no.	Sheet		
	17-07-'12	HE	A20M-20010-01	1 OF 1		

