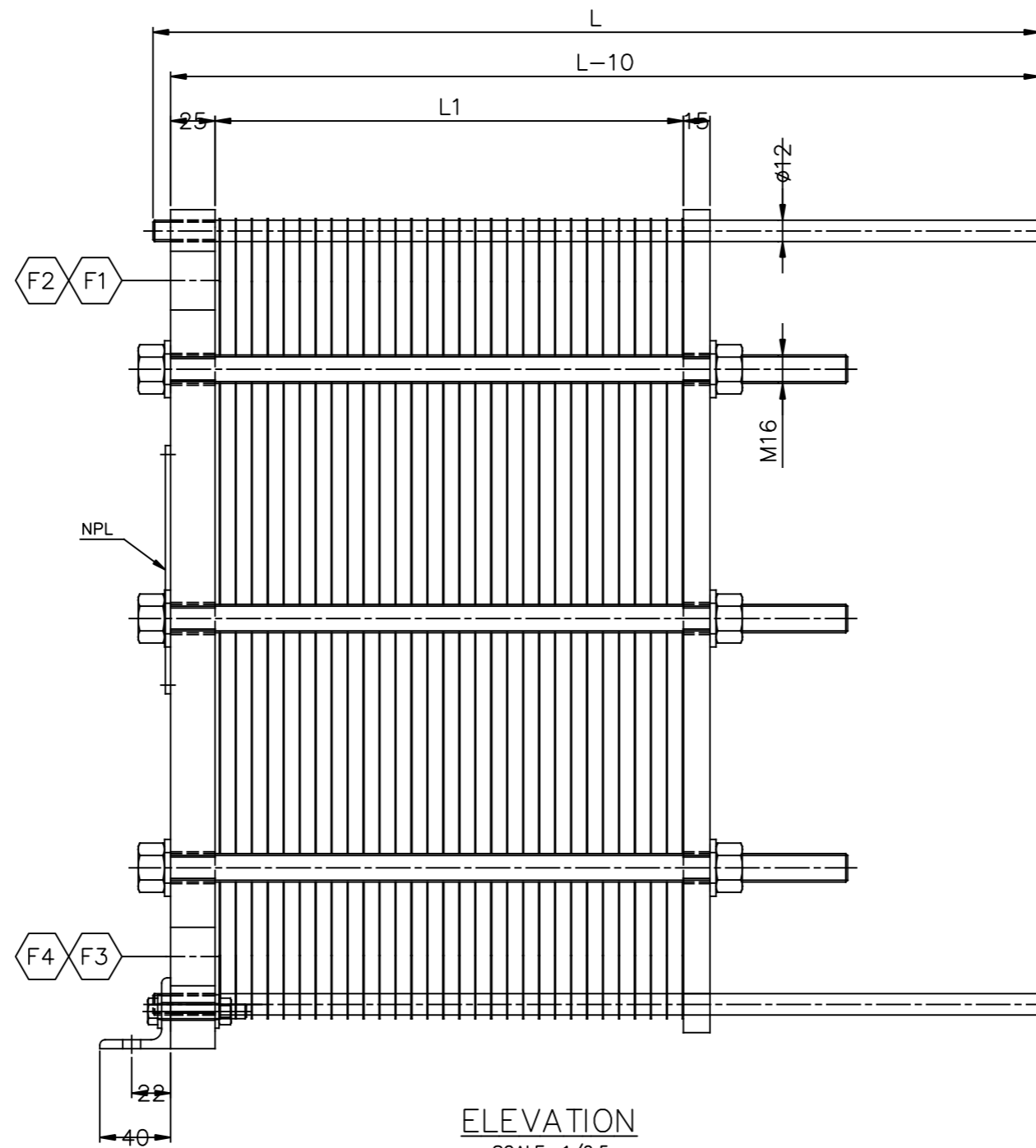
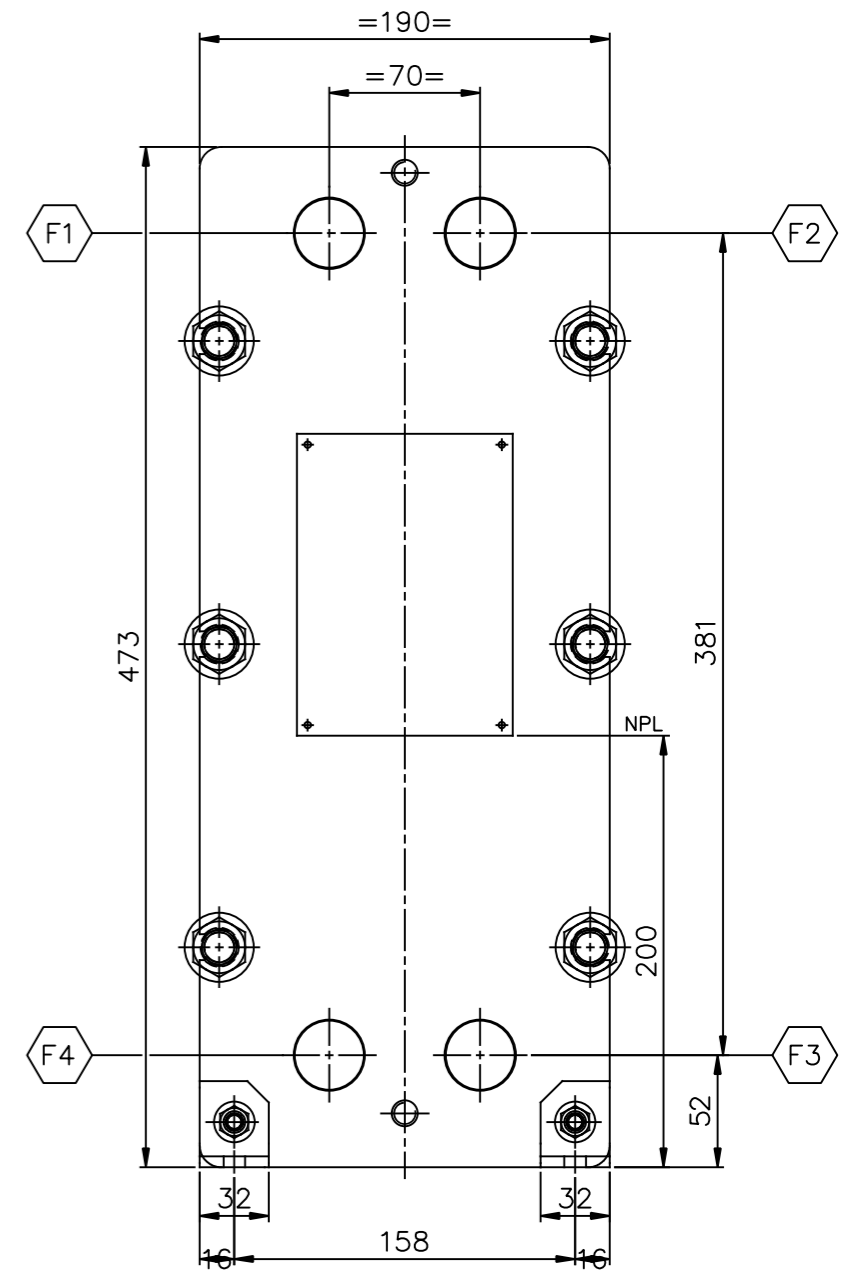



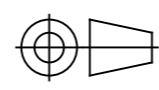
VIEW Q
REAR SIDE
SCALE: 1/2.5



ELEVATION
SCALE: 1/2.5



VIEW P
FRONT SIDE
SCALE: 1/2.5

Dimensions without tolerance:	Designed by	Approved by	Rev. no.	Revision Text	Format	Scale
	O.AKSAK	ARES	0	FOR APPROVAL	A1	1:2.5+VAR.
ISO projektion						
		Rev. date	Rev. by	Drawing no.	Sheet	
		18-06-'12	HE	A1S-10016-01	1 OF 1	