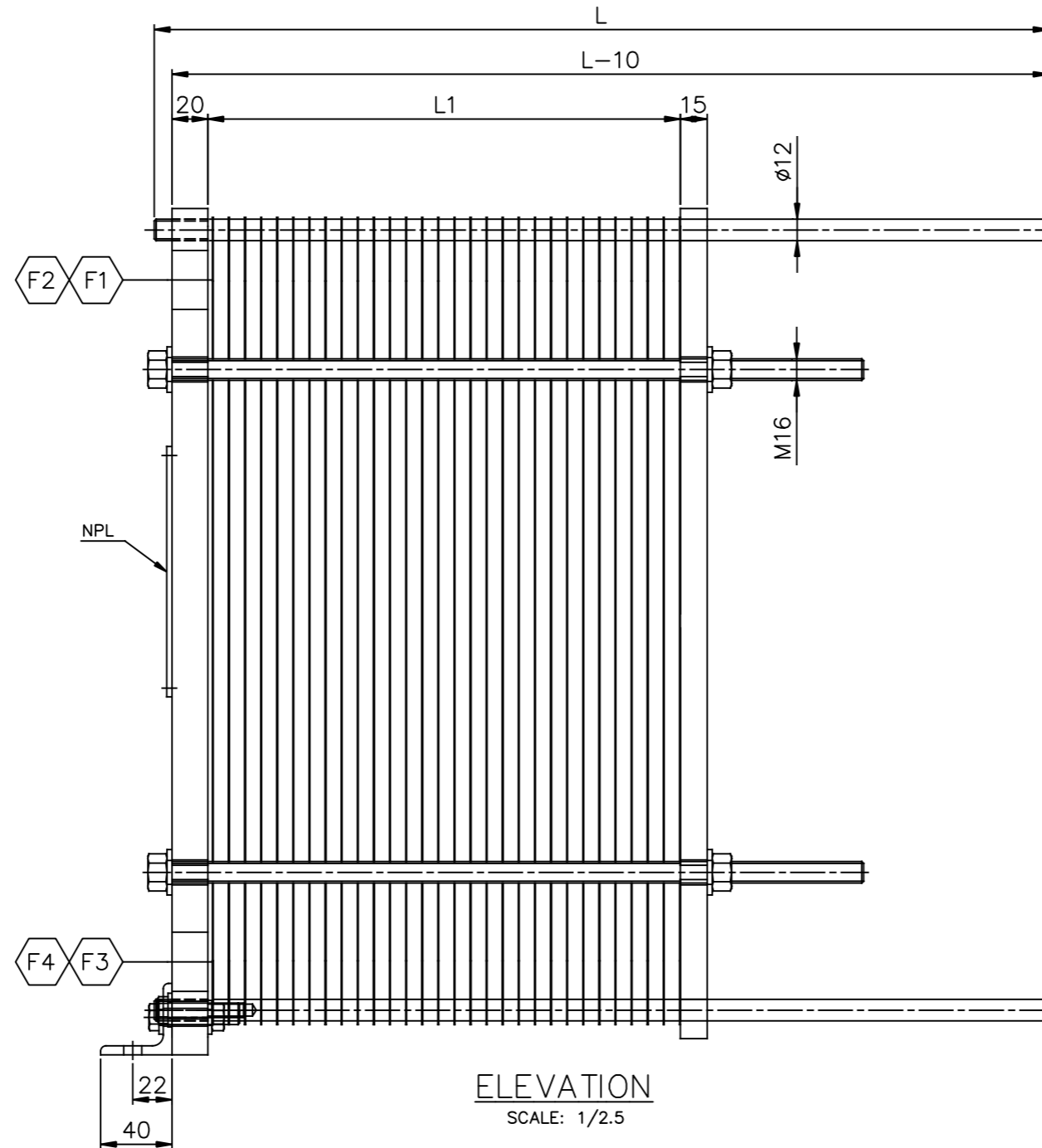
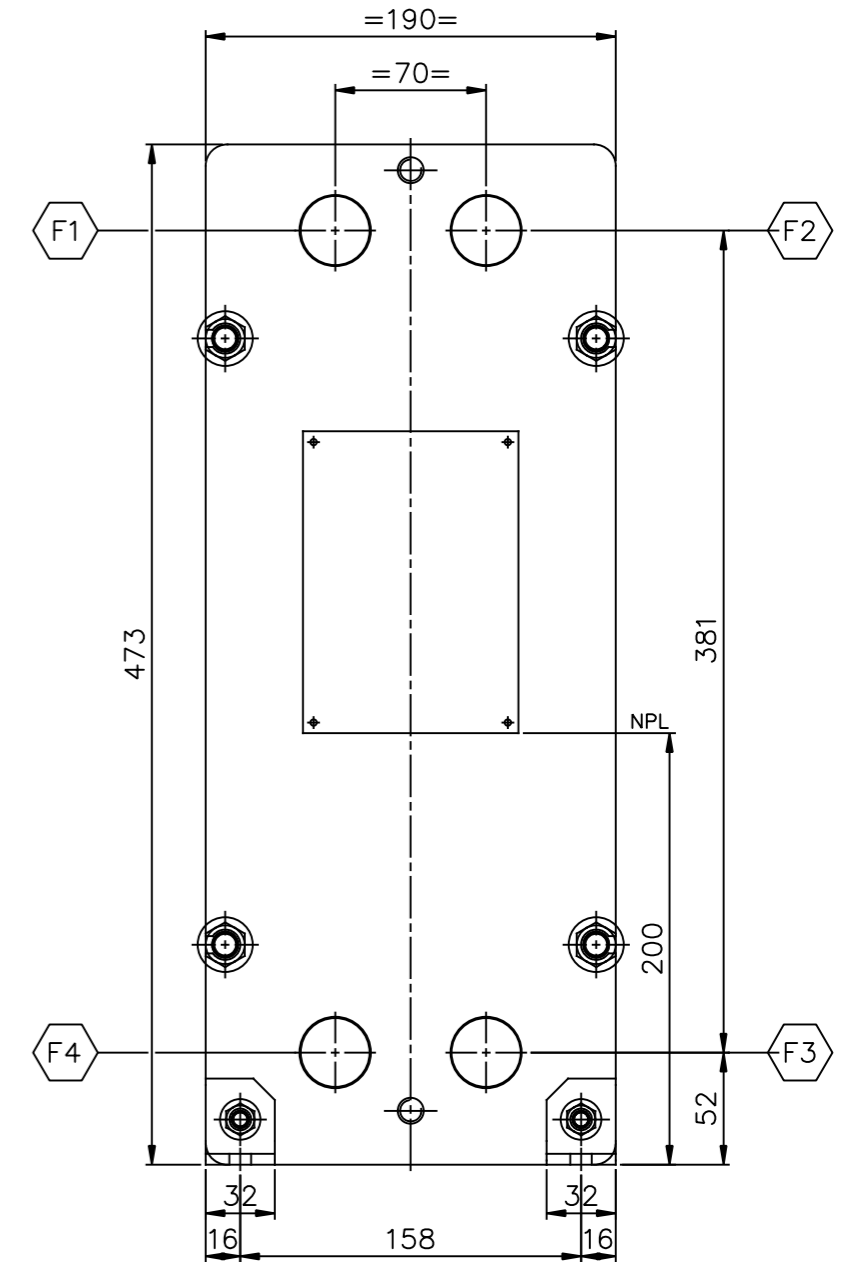


VIEW Q  
REAR SIDE  
SCALE: 1/2.5



ELEVATION  
SCALE: 1/2.5



VIEW P  
FRONT SIDE  
SCALE: 1/2.5

Dimensions without tolerance:	Designed by	Approved by	Rev. no.	Revision Text	Format	Scale
	O.AKSAK	ARES	1	FOR APPROVAL	A1	1:2.5+VAR.
ISO projektion	Description:					
	PHE MODEL: A1S PN10 L=100 ÷ 500 MM GENERAL ARRANGEMENT					
	Rev. date	Rev. by	Drawing no.	Sheet		
	30-05-'16	ARES	A1S-10010-01	1 OF 1		

**ares**  
PHE