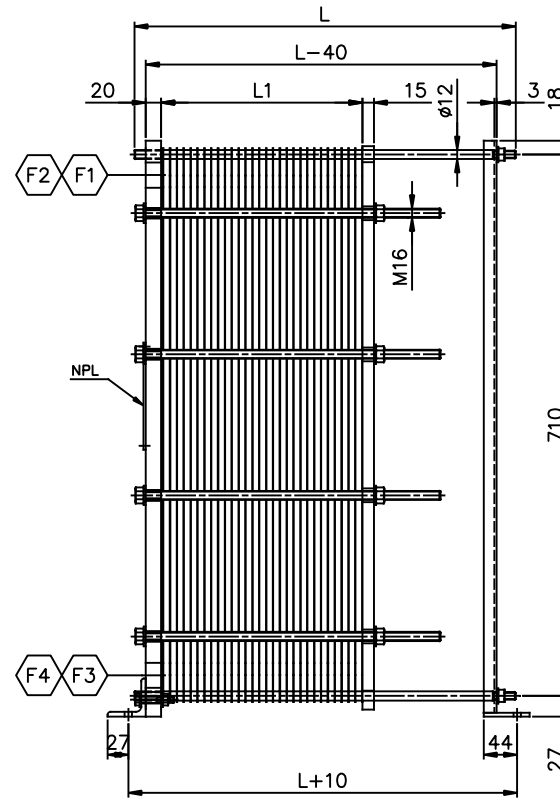
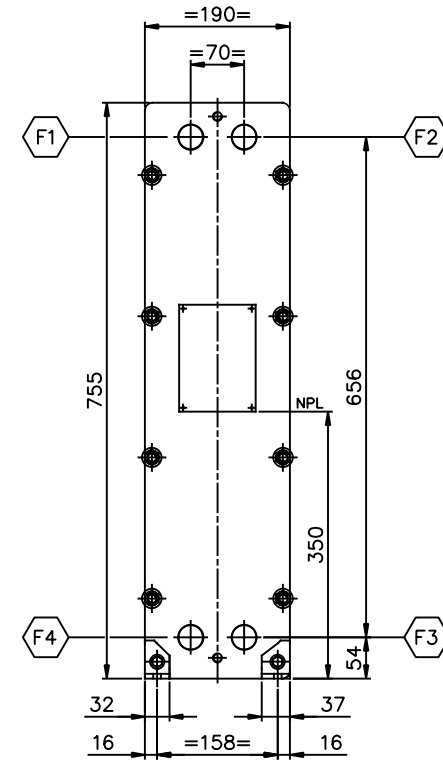


VIEW Q
REAR SIDE
SCALE: 1/5



ELEVATION
SCALE: 1/5



VIEW P
FRONT SIDE
SCALE: 1/5

Dimensions without tolerance: ISO projection 	Designed by O.AKSAK	Approved by ARES	Rev. no. 1	Revision Text FOR APPROVAL	Format A1	Scale 1: 5+VAR.
	Description: PHE MODEL: A1L PN10 L=100 ÷ 500 MM GENERAL ARRANGEMENT					
			Rev. date 30-05-'16	Rev. by ARES	Drawing no. A1L-10010-01	Sheet 1 OF 1

ares
PHE