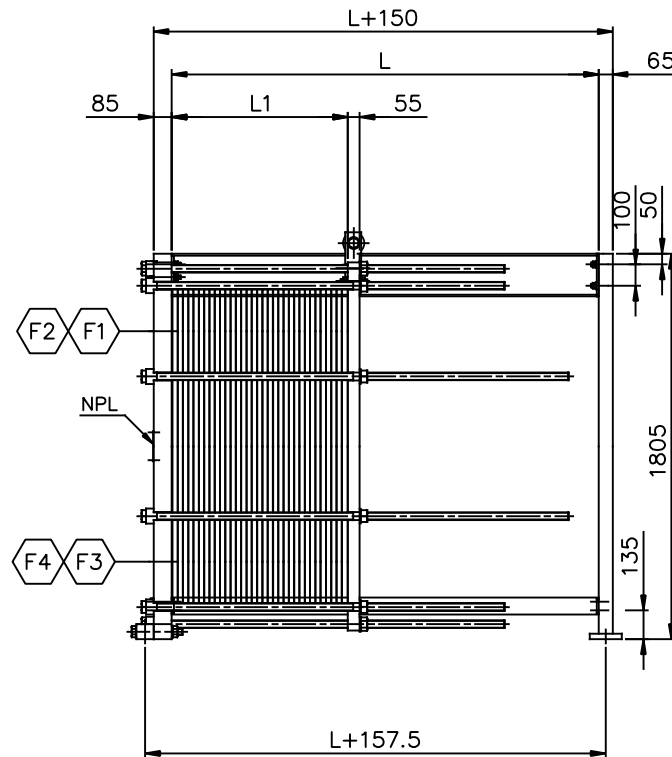
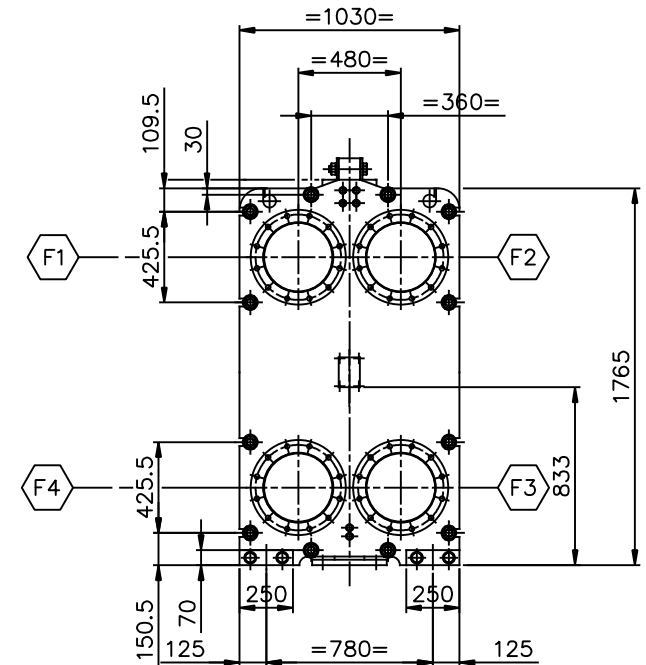



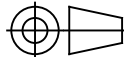
VIEW Q
REAR SIDE
SCALE: 1/20



ELEVATION
SCALE: 1/20



VIEW P
FRONT SIDE
SCALE: 1/20

Dimensions without tolerance:	Designed by	Approved by	Rev. no.	Revision Text	Format	Scale
	O.AKSAK	ARES	0	FOR APPROVAL	A1	1: 5+VAR.
ISO projektion			Description:			
			PHE MODEL: A12S P10 L=600÷2000 MM GENERAL ARRANGEMENT			
	Rev. date	Rev. by	Drawing no.		Sheet	
	17-06-'12	ARES	A3M-10016-01		1 OF 1	