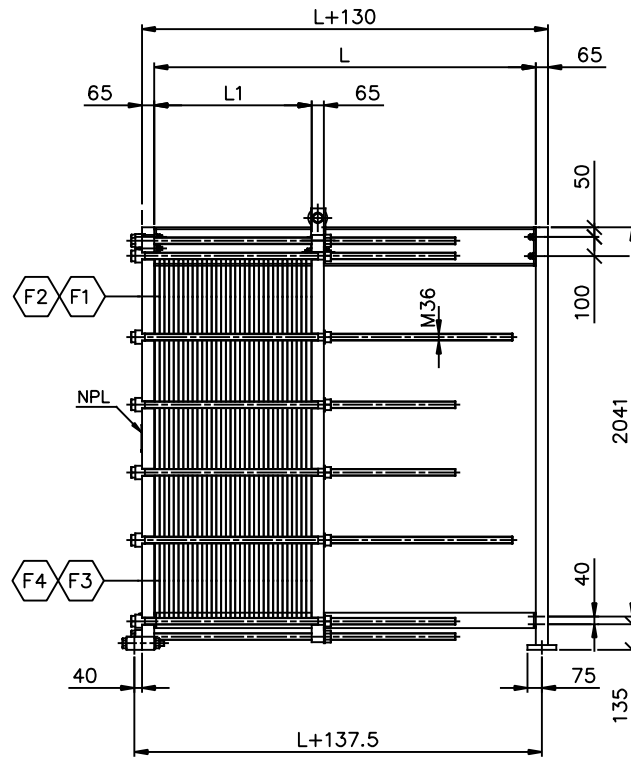
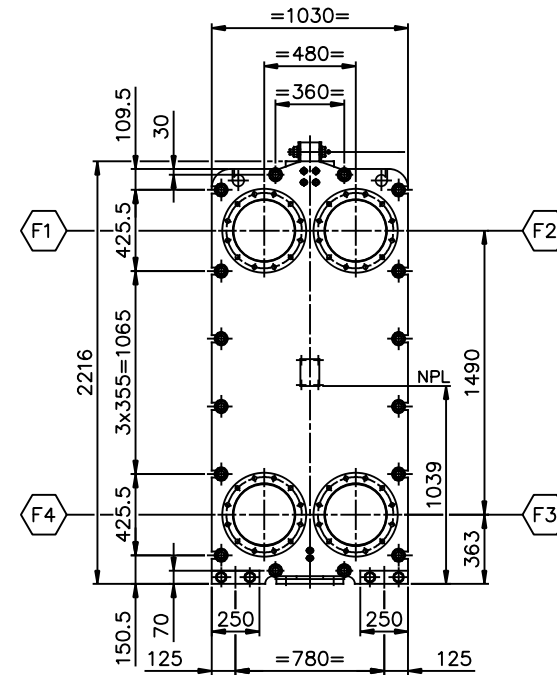



VIEW Q
REAR SIDE
SCALE: 1/20



ELEVATION
SCALE: 1/20



VIEW P
FRONT SIDE
SCALE: 1/20

| | | | | | | |
|-------------------------------------|---|---------------|----------|---------------|--------|-----------|
| Dimensions without tolerance: | Designed by | Approved by | Rev. no. | Revision Text | Format | Scale |
| | O.AKSAK | ARES | 0 | FOR APPROVAL | A1 | 1:20+VAR. |
| ISOprojektion |  | | | | | |
| | | | | | | |
| Description: | | | | | | |
| PHE MODEL: A12M PN6 L=600 ÷ 2000 MM | | | | | | |
| GENERAL ARRANGEMENT | | | | | | |
| Rev.date | Rev.by | Drawing no. | Sheet | | | |
| 05-09-'12 | HE | A12M-10006-01 | 1 OF 1 | | | |