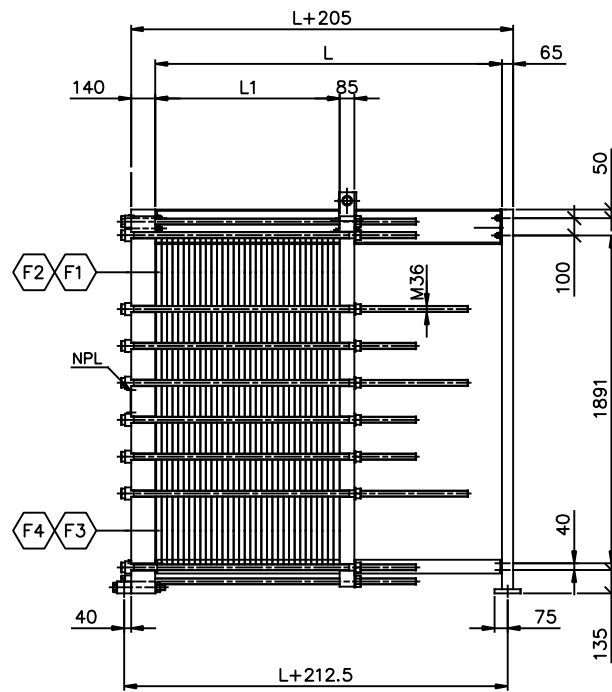
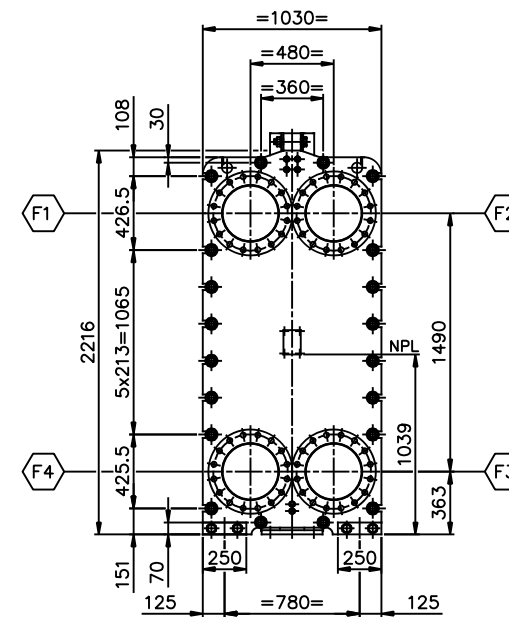


VIEW Q  
REAR SIDE  
SCALE: 1/20



ELEVATION  
SCALE: 1/20



VIEW P  
FRONT SIDE  
SCALE: 1/20

Dimensions without tolerance:	Designed by	Approved by	Rev. no.	Revision Text	Format	Scale
	O.AKSAK	ARES	0	FOR APPROVAL	A1	1:20+VAR.
ISOprojektion	Description:					
	PHE MODEL: A12M PN25 L=600 ±2000 MM GENERAL ARRANGEMENT					
	Rev.date	Rev.by	Drawing no.	Sheet		
	03-09-'12	HE	A12M-30016-01	1 OF 1		