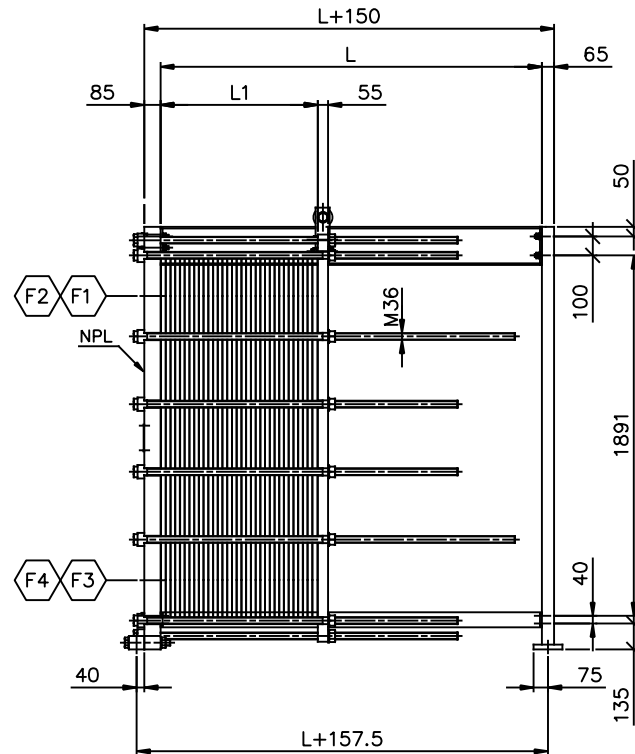
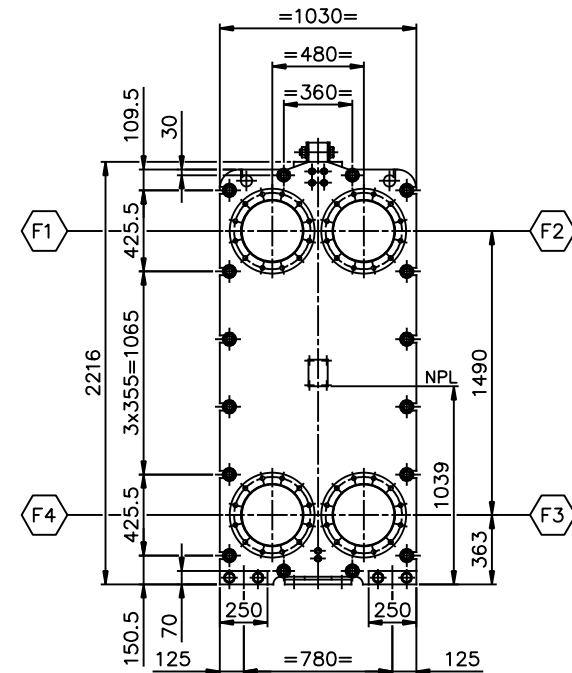



VIEW Q
REAR SIDE
SCALE: 1/20



ELEVATION
SCALE: 1/20



VIEW P
FRONT SIDE
SCALE: 1/20

Dimensions without tolerance:	Designed by O.AKSAK	Approved by ARES	Rev. no. 0	Revision Text FOR APPROVAL	Format A1	Scale 1:20+VAR.
			Description: PHE MODEL: A12M PN10 L=600 ÷ 2000 MM GENERAL ARRANGEMENT			
Rev.date 06-09-'12			Rev.by HE	Drawing no. A12M-10010-01	Sheet 1 OF 1	

ISOprojektion

