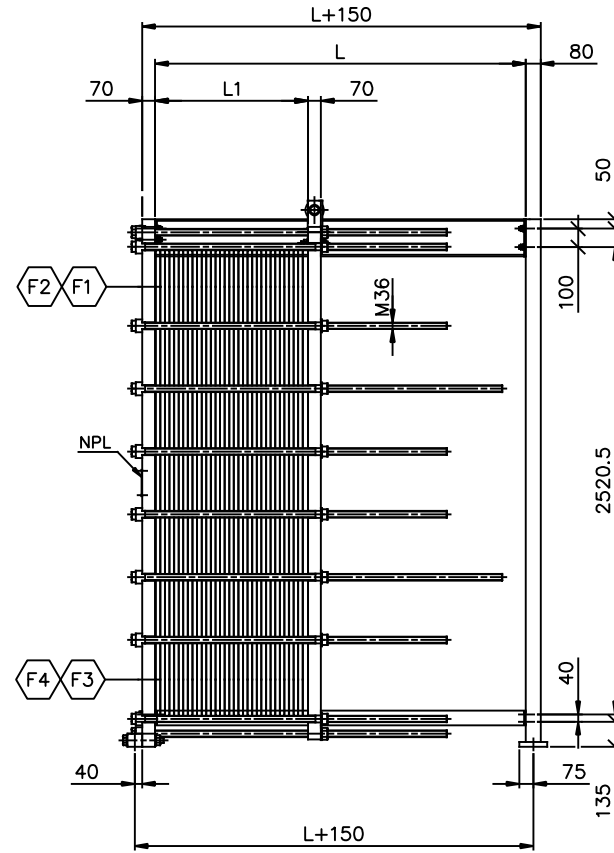
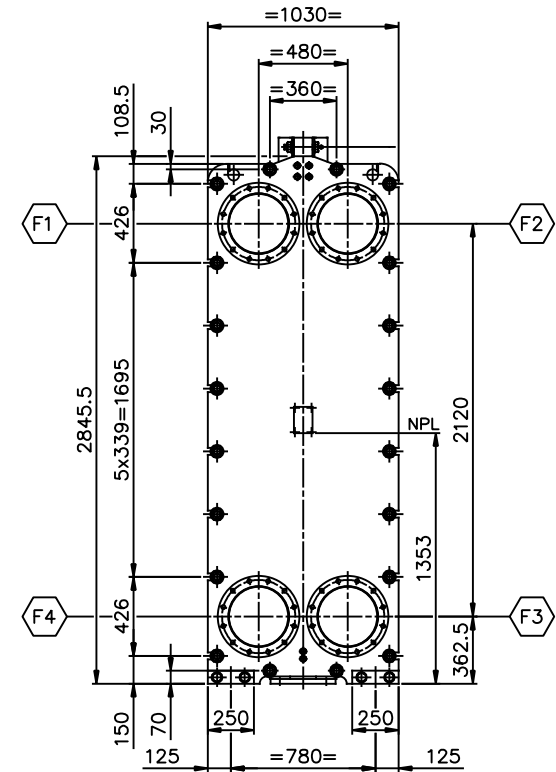


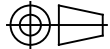
VIEW Q
REAR SIDE
SCALE: 1/20



ELEVATION
SCALE: 1/20



VIEW P
FRONT SIDE
SCALE: 1/20

Dimensions without tolerance:	Designed by	Approved by	Rev. no.	Revision Text	Format	Scale
	O.AKSAK	ARES	0	FOR APPROVAL	A1	1:20+VAR.
ISOprojektion 	Description:					
	PHE MODEL: A12L PN6 L=600 ÷ 2000 MM GENERAL ARRANGEMENT					
	Rev.date	Rev.by	Drawing no.	Sheet		
	10-07-'12HE	A12L-10006-01	1 OF 1			

ares
PHE