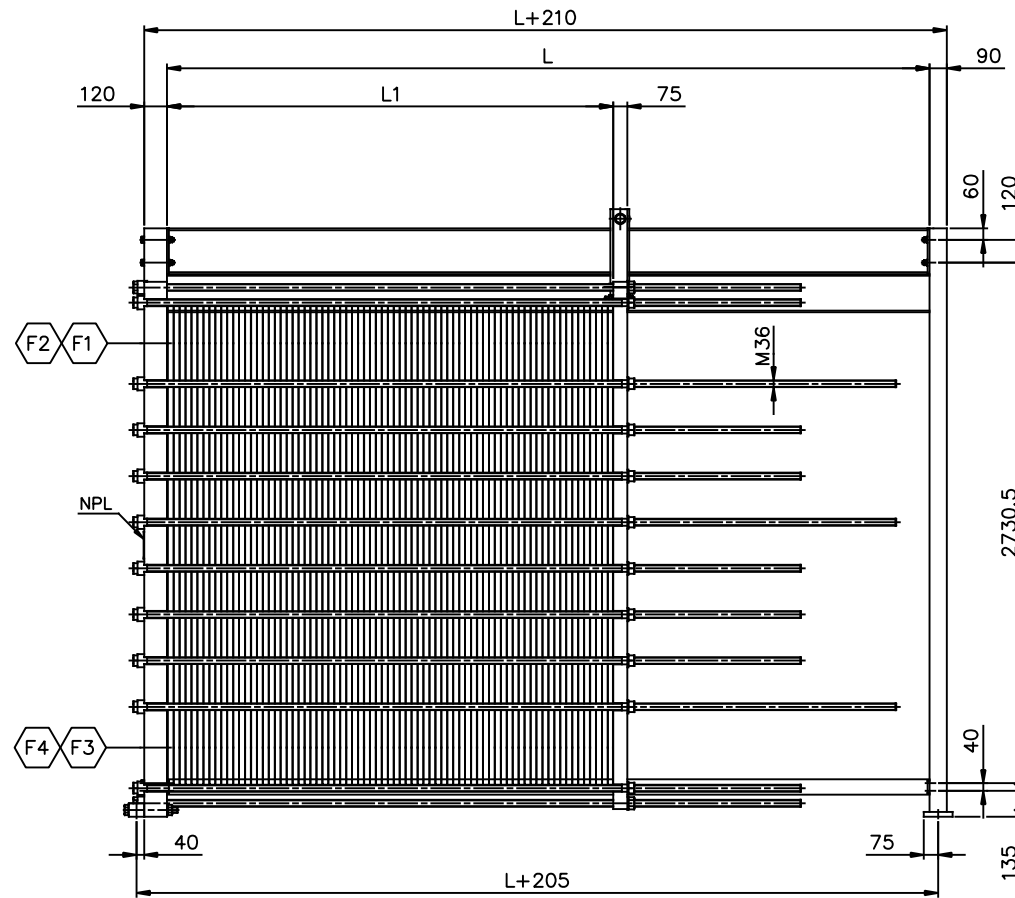
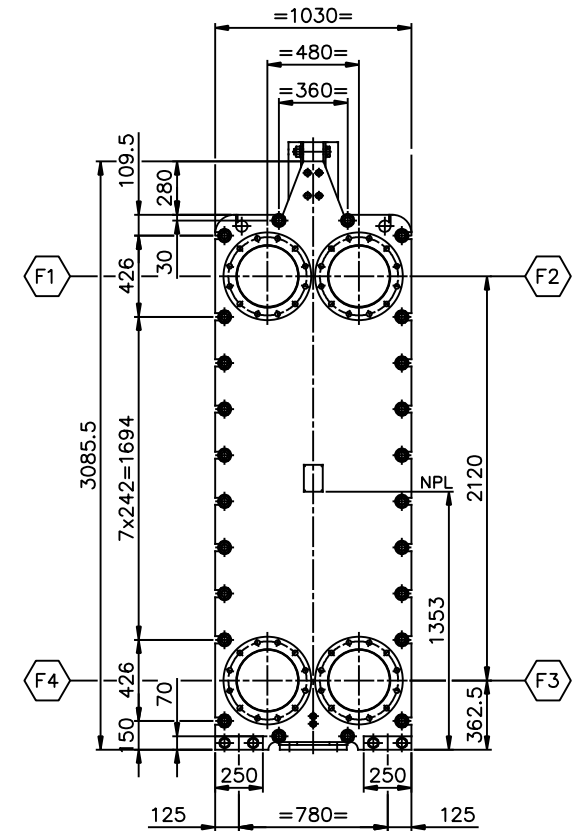


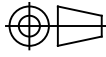

VIEW Q  
REAR SIDE  
SCALE: 1/20



ELEVATION  
SCALE: 1/20



VIEW P  
FRONT SIDE  
SCALE: 1/20

Dimensions without tolerance:	Designed by O.AKSAK	Approved by ARES	Rev. no. 0	Revision Text FOR APPROVAL	Format A1	Scale 1:20+VAR.
	Description: PHE MODEL: A12L PN16 L=2500 ÷ 4000 MM GENERAL ARRANGEMENT					
ISOprojektion 			Rev.date 10-07-'12	Rev.by HE	Drawing no. A12L-20016-01	Sheet 1 OF 1